

RC10GCM.1 **FACTORY** Team

#30107 RC10TC6.1 Factory Team Kit



1:10 Scale Electric 4WD Touring Car Kit Manual & Catalog 10/11

TEAM ASSOCIATED



Designed in California, USA

:: Introduction

Thank you for purchasing this Team Associated product. This assembly manual contains instructions and tips for building and maintaining your new RC10TC6.1. Please take a moment to read through this manual to help familiarize yourself with these steps.

We are continually changing and improving our designs; therefore, actual parts may appear slightly different than in the illustrations. New parts will be noted on supplementary sheets located in the appropriate parts bags. Check each bag for these sheets before you start to build.

:: KIT Features

Team Associated is proud to release its next generation 1:10th scale 4WD electric touring car kit, the RC10TC6.1-FT, with optimized suspension geometry equipped to carry the load for today's touring car racing classes.

The engineers behind the doors of Area-51 have been hard at work continuing the development process for the ever changing touring car racing scene. The RC10TC6.1-FT is the next stepping stone in Team Associated's successful touring car chassis lineage. Holding cross-compatibility to a high regard, the RC10TC6.1-FT shares the same chassis layout as its predecessor, the TC6. But this time the advances are in its suspension geometry and drivetrain components.

Building from a balanced and stable chassis layout, the time was right to refine the suspension components. The updated suspension geometry of the RC10TC6.1-FT has been re-worked for increased stiffness and durability with finer adjustments focused in the optimal range. All without sacrificing low part count or affordability. With the demands of the extreme power of modified brushless motors, the RC10TC6.1-FT also benefits from the addition of a tunable oil-filled gear differential in the rear, and fixed spool with replaceable outdrive cups for the front. Area-51's design engineers have packaged all the key components together, so the RC10TC6.1-FT is definitely... another Champion by Design from Team Associated!

- Updated suspension arms
 - Stiffer/stronger design
 - Finer adjustments for shock mounting with "in between" options
 - Optimized arm length front & rear
- Hubs & caster blocks use inserts for adjustable caster/toe angles
 - Caster blocks have a stiffer/stronger design with 2, 4, and 6 degree insert options for caster angle
 - Rear hubs use a stronger design with 0 and 1 degree insert options for outboard toe angle
- Updated anti-roll bar system allows finer adjustments with precision mounting
- Rear gear diff for maximum performance and minimal maintenance
 - Lightweight design
 - Durable composite construction
 - Optimized for a wide "tuning window" to maximize useable adjustability
 - Hard anodized aluminum outdrives for low wear and long life
- Front spool with replaceable composite outdrives
 - Outdrives allow the use of existing CVA bone blades to minimize binding at the bearing surface
 - Composite outdrives are replaceable at low cost in the event of a CVA bone blade failure
- Offset arm mounts included to help increase durability by minimizing (or eliminating) shims between mount and bulkhead
- Chassis layout optimized for Lithium Batteries and Brushless Motors
 - Ultra narrow LiPo chassis with two battery positions
 - Servo mounting slots to ensure proper fit of any servo
 - Motor mounts to centralized point in chassis for equal flex
- Common bulkhead layout minimizes spare part cost
- Multi-position steering system to fine tune Ackermann and steering rates
 - More Ackermann options (14 positions total) to fine tune steering point
 - Improved steering input rate for more consistent handling, with 3 output rate options
- V2 Shock with hard anodized threaded shock bodies
 - Bottom loading seal system for ease of build
 - TiN coated shock shaft
 - Piston attaches to shock shaft with screw for tight clamping and no slop
 - Threaded collar with fine pitch thread for ease of accurate ride height adjustment
- Titanium turnbuckles with new turnbuckle eyelets for easy access to ball stud
- 16 precision ball bearings
- Cross-compatibility with TC6 chassis components

:: Additional Features

Your new TC6.1 comes unassembled and requires the following items for completion. (refer to catalog section for suggestions):

- 1:10th scale electric motor and electronic speed control • 3.7V-7.4V LiPo, 6.6V LiFe, or 4.8V-7.2V NiMh/NiCd
- Battery charger (suited for, and particular to, one of the batteries mentioned above)
- 2 channel surface transmitter, 2 channel receiver, and steering servo
- 1:10th scale lexan touring car body and Lexan specific paint for body • 1:10th scale rubber (or foam) touring car tires

:: Other Helpful Items

- Silicone Shock Fluid (Refer to catalog for complete listings)
- Silicone Diff Fluid (Refer to catalog for complete listings)
- Thread Lock (AE Part #1596)
- Body Scissors (AE Part # 1737)
- Reamer / Hole Punch
- FT Hex Wrenches (AE Part # 1541)
- Hobby Knife
- Needle Nose Pliers
- Wire Cutters
- Soldering Iron
- Calipers or a Precision Ruler

Associated Electrics, Inc.
26021 Commercentre Dr.
Lake Forest, CA 92630



Customer Service
Tel: 949.544.7500
Fax: 949.544.7501

:: Table of Contents

1.....Cover	16-18.....Steering Block Build / Install (Bag G)
2.....Introduction	19-20.....Rear Hubs Build / Install (Bag G)
3.....Table of Contents	20.....Shocks Install (Bag G)
4-5.....Shock Build (Bag A-AA)	20-21.....Bumper Build / Install (Bag G)
5-6.....Front Spool Build (Bag B-BB)	21.....Pivoting Body Mounts Install (Bag H)
6-8.....Rear Gear Differential Build (Bag B-BB)	21-22.....Battery Braces / Antenna Mount Install (Bag H)
8-9.....CVA Axle Build (Bag C-CC)	22-23.....Anti-Roll Bars Build / Install (Bag H)
9.....Turnbuckle Build (Bag C-CC)	23-24.....Servo Build / Install (Bag J)
10.....Front Bulkhead Build (Bag D-DD)	24-25.....Electronics Install (Bag J)
11.....Rear Bulkhead Build (Bag D-DD)	25.....Wheels / Tires Build / Install (Bag J)
12.....Spur Gear Bulkhead / Motor Mount Install (Bag D-DD)	26-28.....Tuning Tips
12.....Shock Tower Build (Bag D-DD)	29.....Gear Chart
13.....Steering Bellcrank Build / Install (Bag E)	30-38.....Catalog
14.....Spur Gear Shaft Build (Bag F)	38.....Notes
14-15.....Spur Gear Hub / Belt Install (Bag G-GG)	39.....Setup Sheet "Kit Setup"
15.....Front Spool Install (Bag F)	40.....1:1 Hardware "Fold Out"
15.....Rear Gear Differential Install (Bag F)	41.....Setup Sheet "Blank"
15-16.....Top Plate / Bearing Caps Install (Bag F)	42.....Back Cover

:: Notes

This symbol indicates a special note or instruction in the manual.



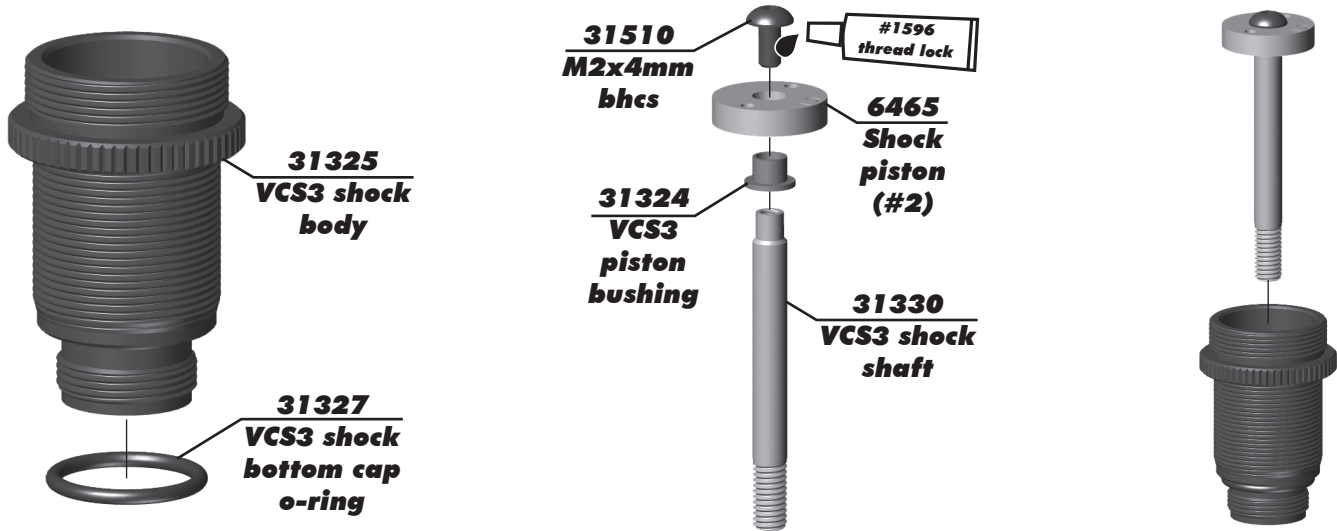
There is a 1:1 hardware foldout page in the back of the manual. To check the size of a part, line up your hardware with the correct drawing until you find the exact size. Each part in the foldout has a number assigned to it for ordering replacement parts.

Associated Electrics, Inc.
26021 Commercentre Dr.
Lake Forest, CA 92630

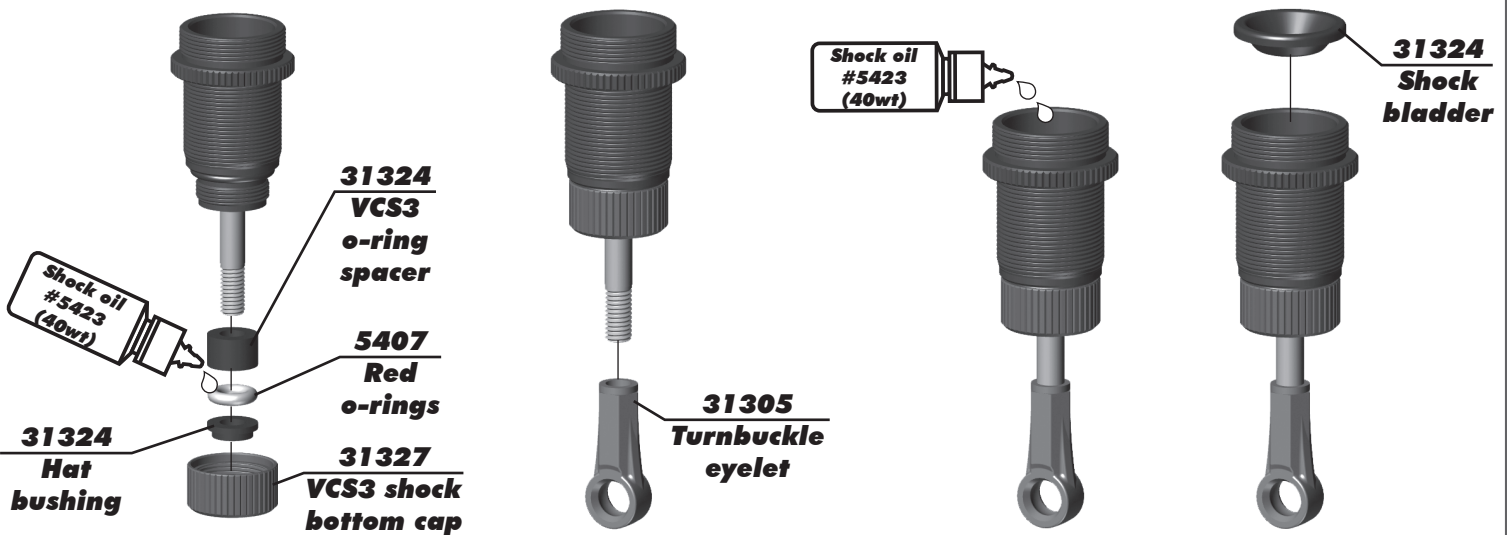


Customer Service
Tel: 949.544.7500
Fax: 949.544.7501

:: Shock Build - Bag A-AA - Step 1



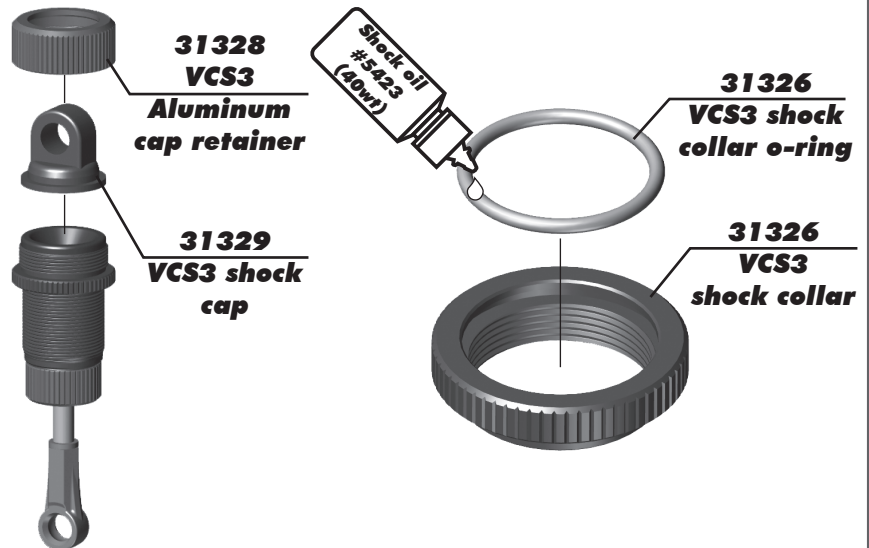
:: Shock Build - Bag A-AA - Step 2



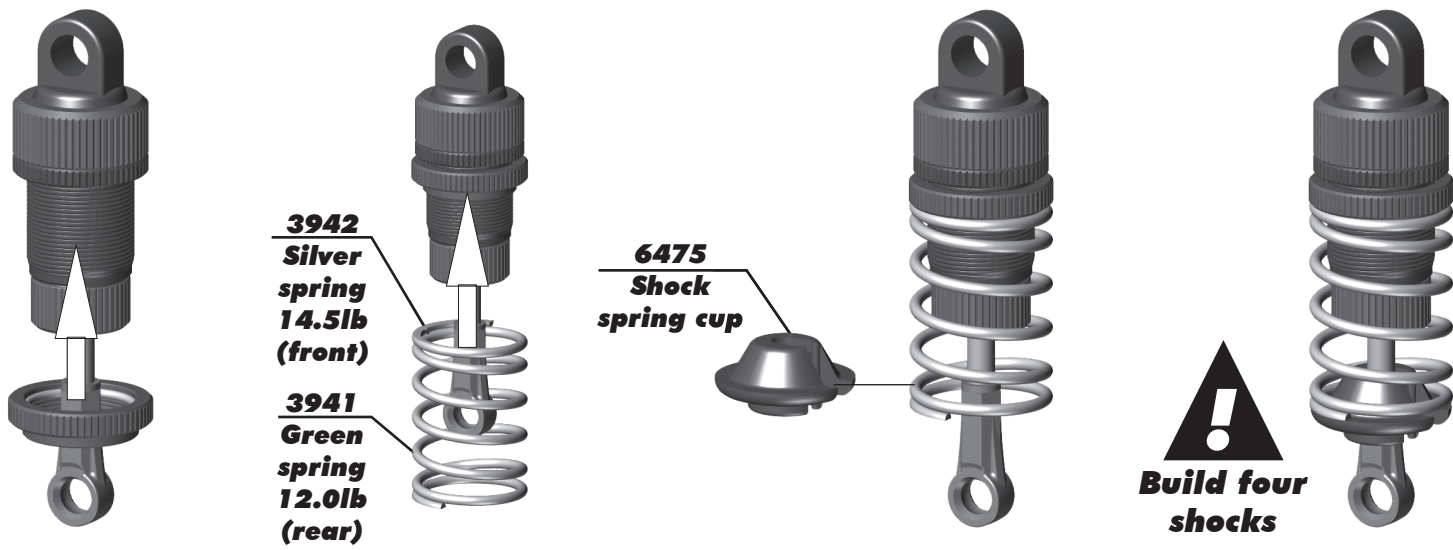
:: Shock Build - Bag A-AA - Step - 3

Bladder Installation

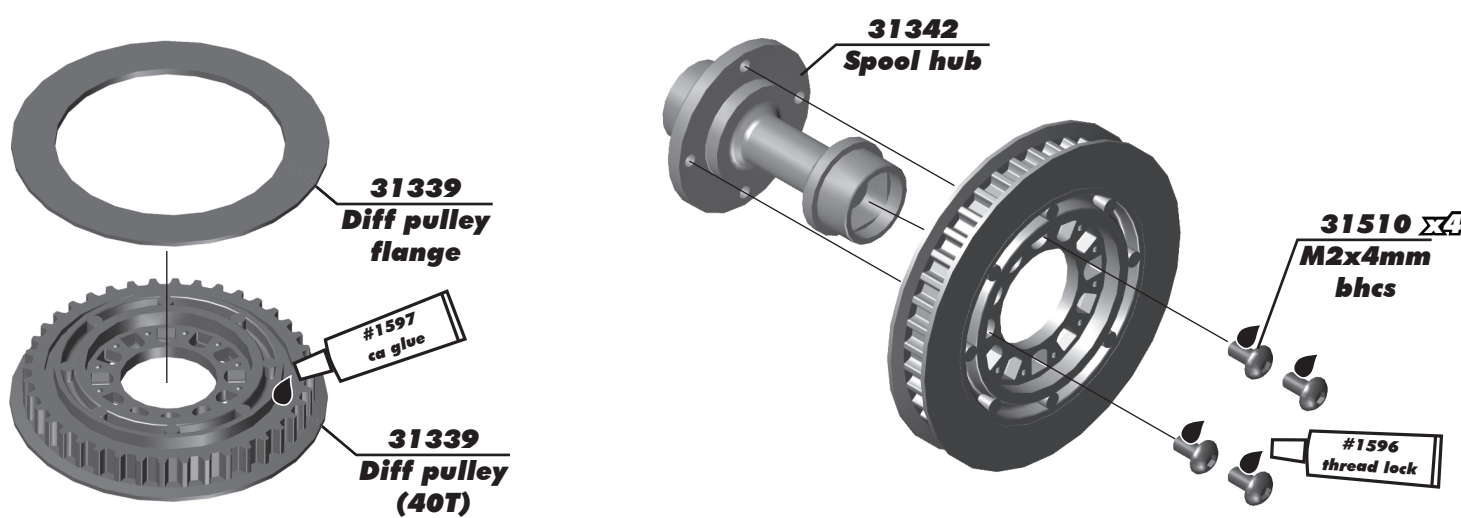
With the shaft fully extended, place bladder on the top of the shock body, displacing the extra oil. While maintaining pressure on the bladder against the shock body, carefully lift one side of the bladder to allow any extra oil to escape. Place stock cap on top of bladder, and secure it by threading the aluminum cap retainer onto the shock body.



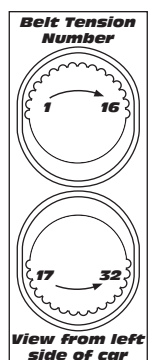
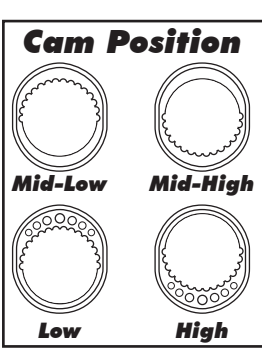
:: Shock Build - Bag A-AA - Step 4



:: Front Spool Build - Bag B-BB - Step 1



:: Front Spool Build - Bag B-BB - Step 2

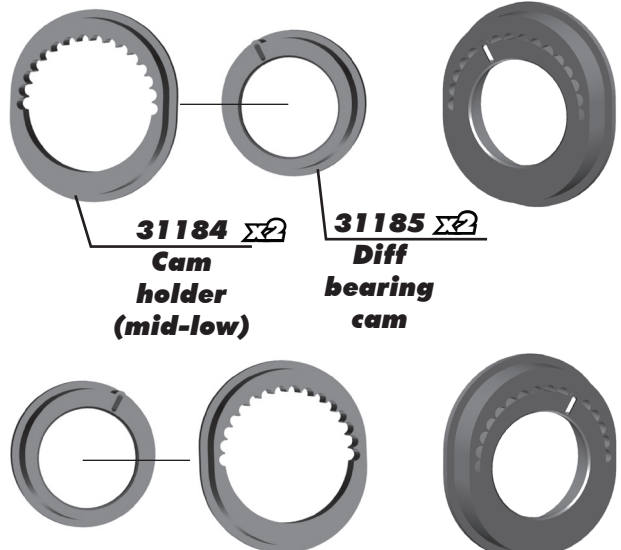


!

Use belt tension position 8 for standard setup.

Left Side

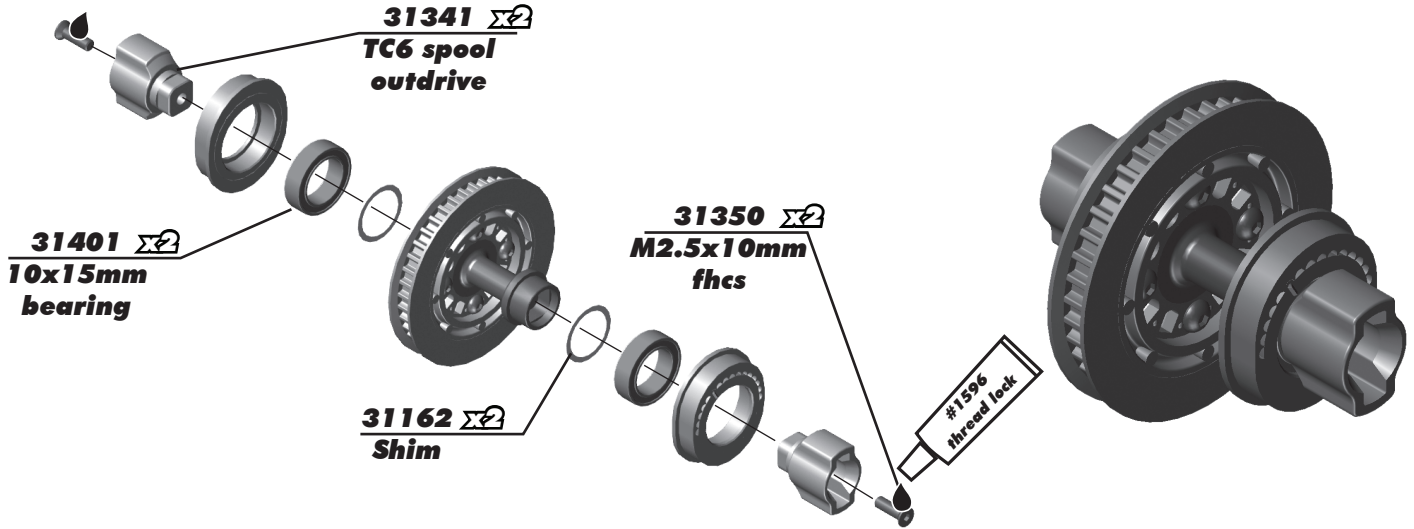
Right Side



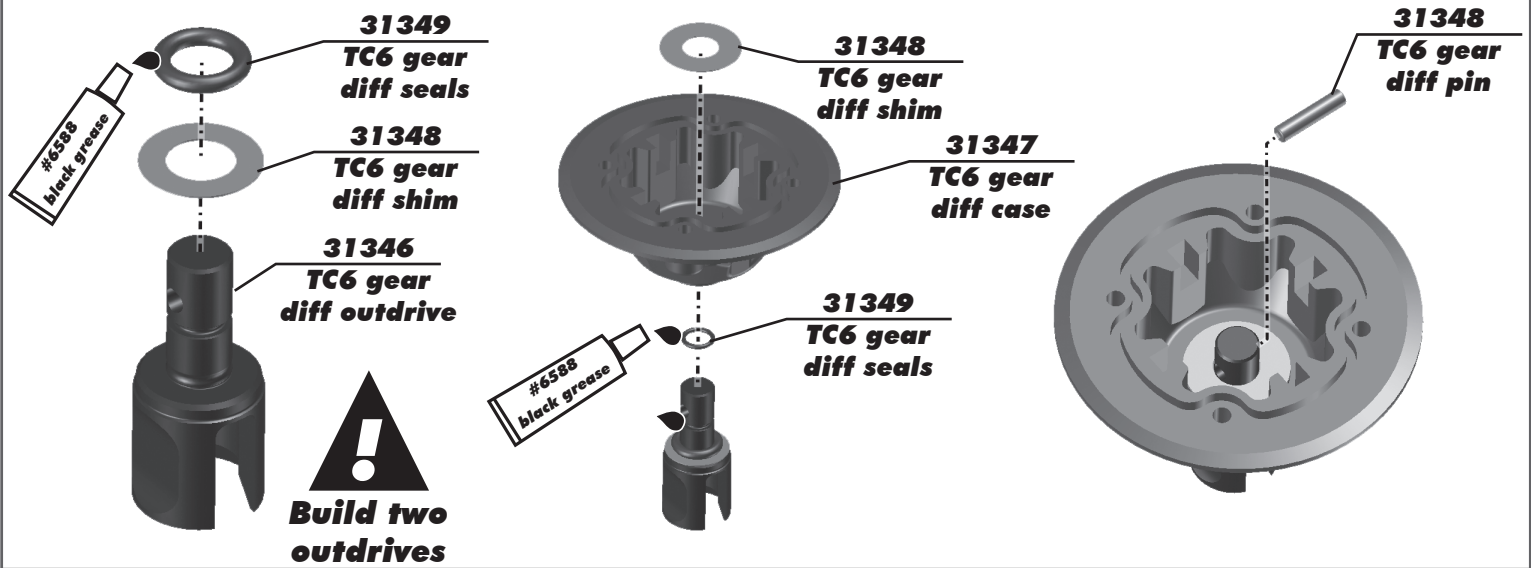
Note!

Always use the same cam position on both sides of the spool.

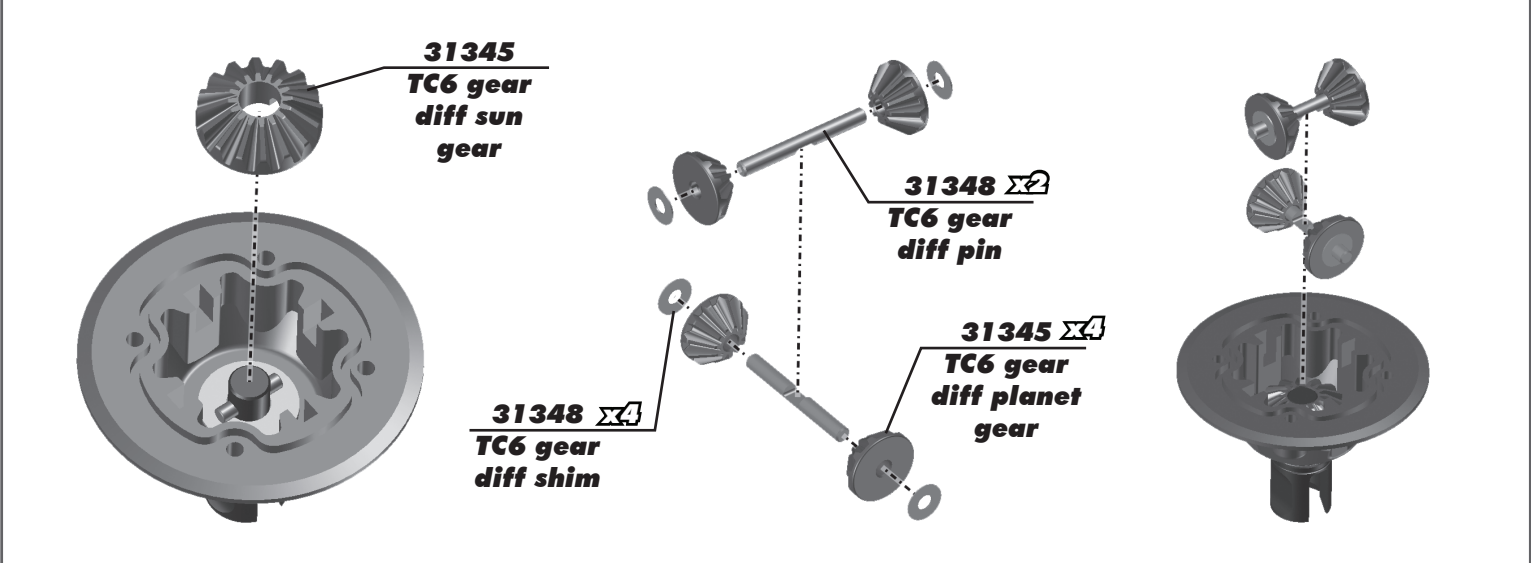
:: Front Spool Build - Bag B-BB - Step 3



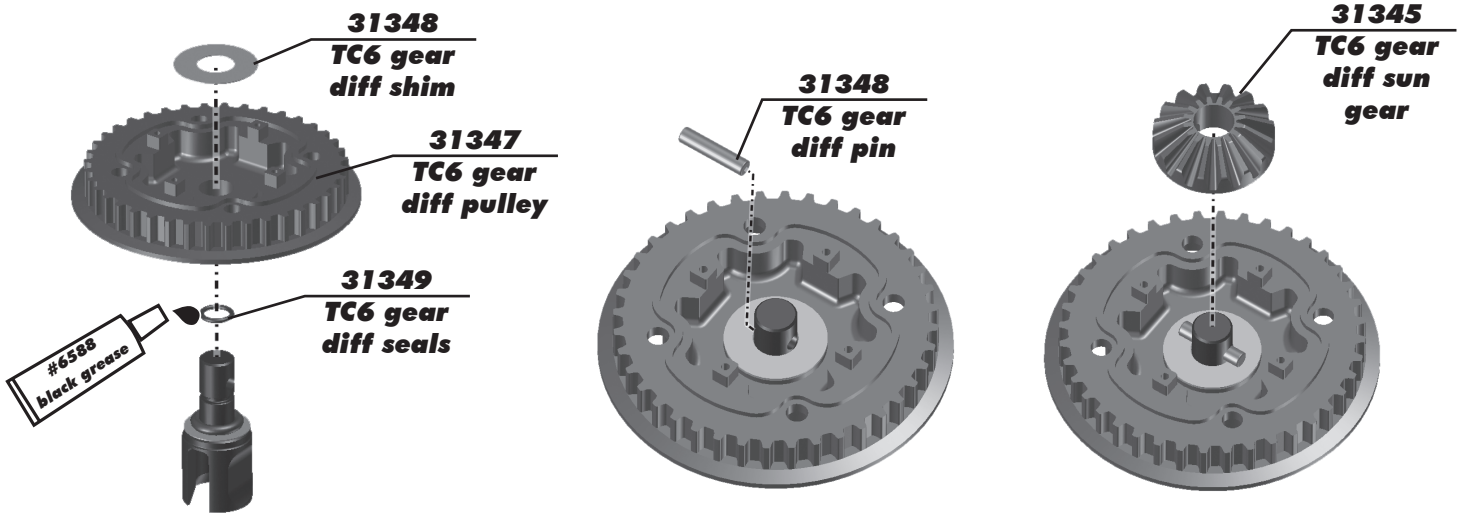
:: Rear Gear Differential Build - Bag B-BB - Step 1



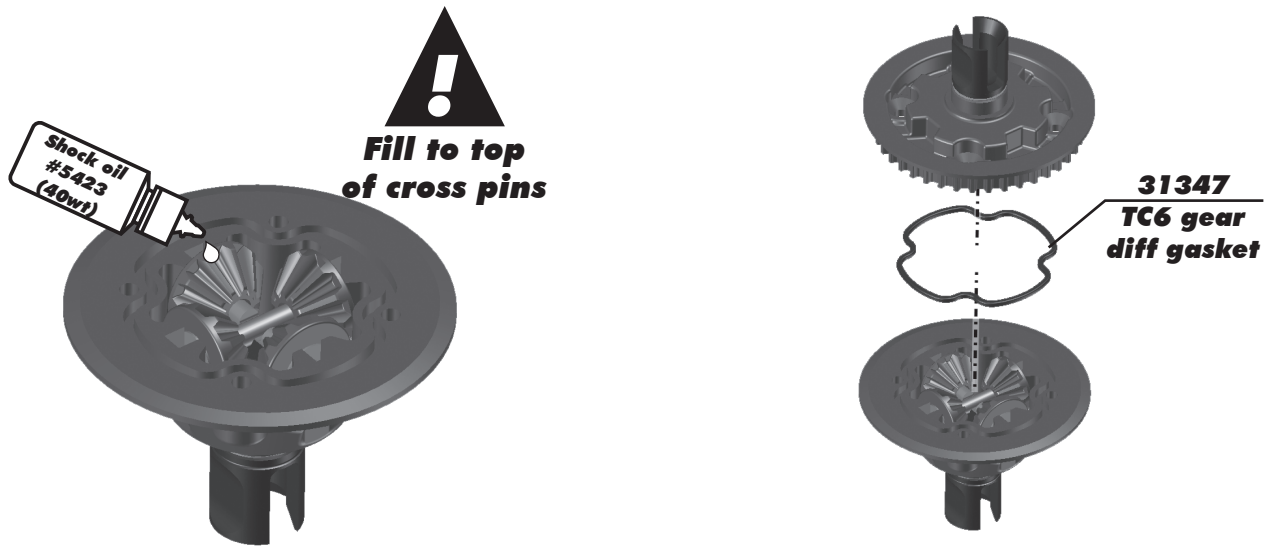
:: Rear Gear Differential Build - Bag B-BB - Step 2



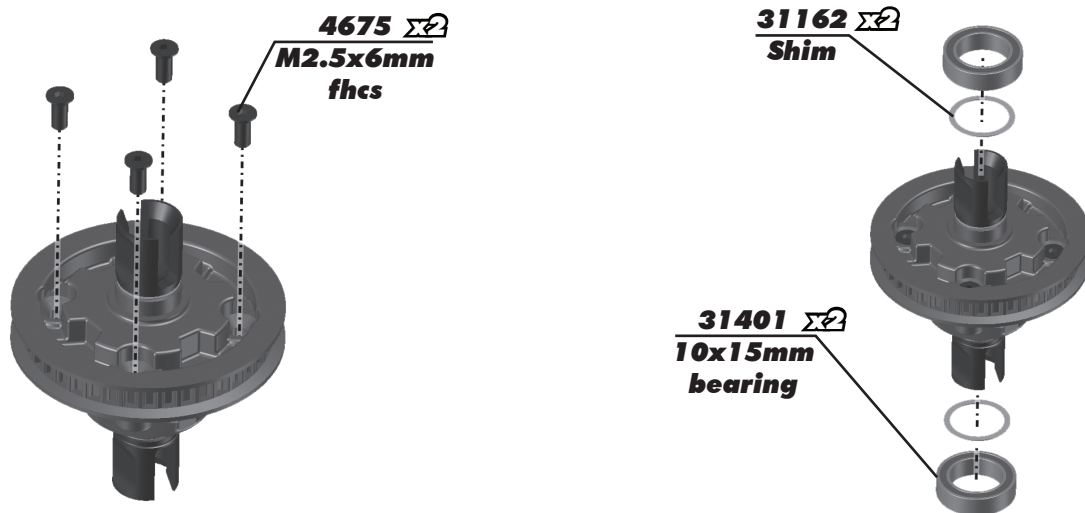
:: Rear Gear Differential Build - Bag B-BB - Step 3



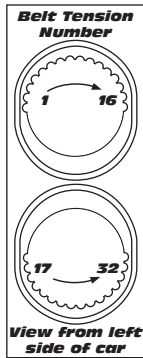
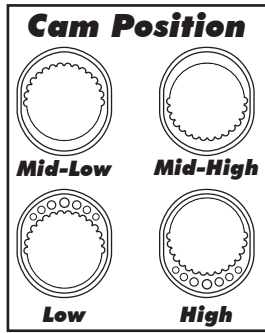
:: Rear Gear Differential Build - Bag B-BB - Step 4



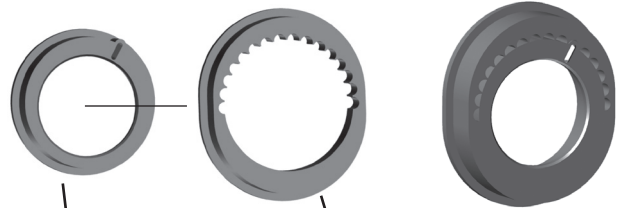
:: Rear Gear Differential Build - Bag B-BB - Step 5



:: Rear Gear Differential Build - Bag B-BB - Step 6



Left Side

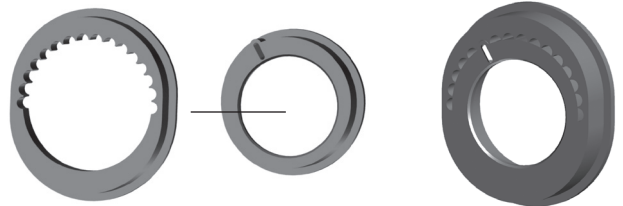


31185
Diff bearing cam

31184
Cam holder (mid-low)

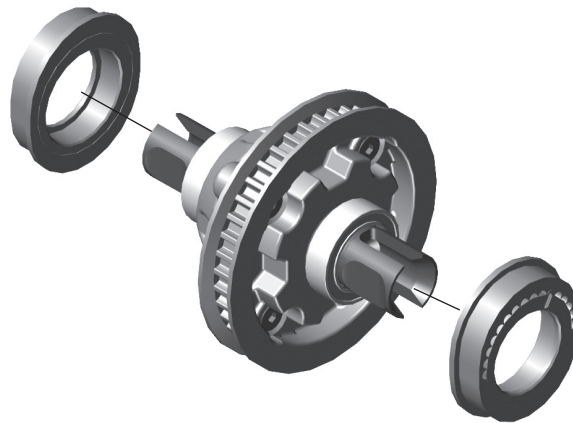
!
Use belt tension position 7 for standard setup.

Right Side

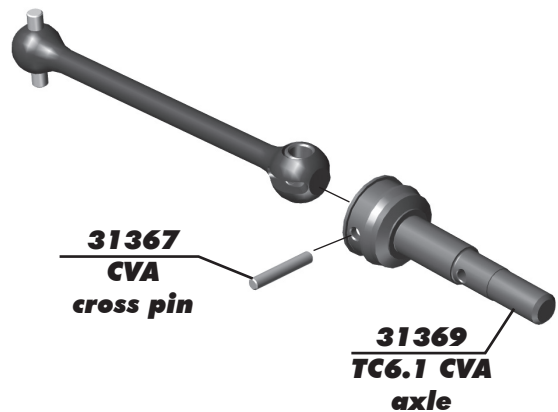
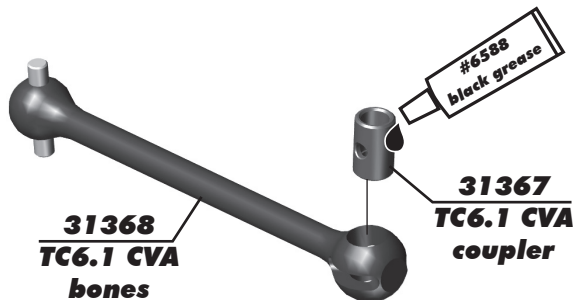


Note!
Always use the same cam position on both sides of the vehicle.

:: Rear Gear Differential Build - Bag B-BB - Step 7



:: CVA Axle Build - Bag C-CC - Step 1



:: CVA Axle Build - Bag C-CC - Step 2

31237 retaining clip

Note!
Align the gap in the pin retainer to be opposite of the CVA pin.

31500 M3x2.5mm setscrew
#1596 thread lock

:: CVA Axle Build - Bag C-CC - Step 3

31238 CVA blade

Build four CVA's

:: Turnbuckle Build - Bag C-CC - Step 1

Servo Turnbuckle

1418 0.825" turnbuckle

31305 Turnbuckle eyelet (29.55mm)

Camber Turnbuckle

1402 1.375" turnbuckle

Front (45mm) **Rear** (46.35mm)

Steering Turnbuckle

1405 1.875" turnbuckle

57mm

:: Front Bulkhead Build - Bag D-DD - Step 1

31356
Front suspension arm

25227 $\Sigma 2$
M4x8mm setscrew

31221 $\Sigma 2$
Inner hinge pin

31280 $\Sigma 2$
5mm ballstud (short)

31356
Front suspension arm insert (b)

Suspension Arm Insert (front)

Build left and right sides

:: Front Bulkhead Build - Bag D-DD - Step 2

31361 $\times 4$
TC6.1 arm mount (0 offset)

31322 $\times 4$
TC6 arm mount bushing

31200 $\Sigma 2$
Wheelbase shim (2mm)

31200 $\Sigma 2$
Wheelbase shim (1mm)

Arm Mounts

Wheel Base Shims

Build left and right sides

:: Front Bulkhead Build - Bag D-DD - Step 3

31309 $\Sigma 2$
TC6 bulkhead

89202 $\times 4$
M3x12mm bhcs

31540 $\Sigma 4$
M3x5mm fhcs

31300
TC6 chassis

Build left and right sides

Refer to page 27 for droop settings!

:: Rear Bulkhead Build - Bag D-DD - Step 1

31357
Rear suspension arm

31221 $\Sigma 2$
Inner hinge pin

31280 $\Sigma 2$
5mm ballstud (short)

25227 $\Sigma 2$
M4x8mm setscrew

31357
Rear suspension arm insert (b)

Suspension Arm Insert (rear)
(rear)

C B A

:: Rear Bulkhead Build - Bag D-DD - Step 2

31321 $\Sigma 2$
TC6 arm mount (0 dot)

31322 $\Sigma 2$
TC6 arm mount bushing

31361 $\Sigma 2$
TC6.1 arm mount (0 offset)

31322 $\Sigma 2$
TC6 arm mount bushing

31200 $\Sigma 2$
Wheelbase shim (2mm)

31200 $\Sigma 2$
Wheelbase shim (1mm)

Arm Mounts

0 1 2 3
Roll Center

Std Offset

Low ← → High

Wheel Base Shims

1mm 2mm

:: Rear Bulkhead Build - Bag D-DD - Step 3

31309 $\Sigma 2$
TC6 bulkhead

89202 $\Sigma 4$
M3x12mm bhcs

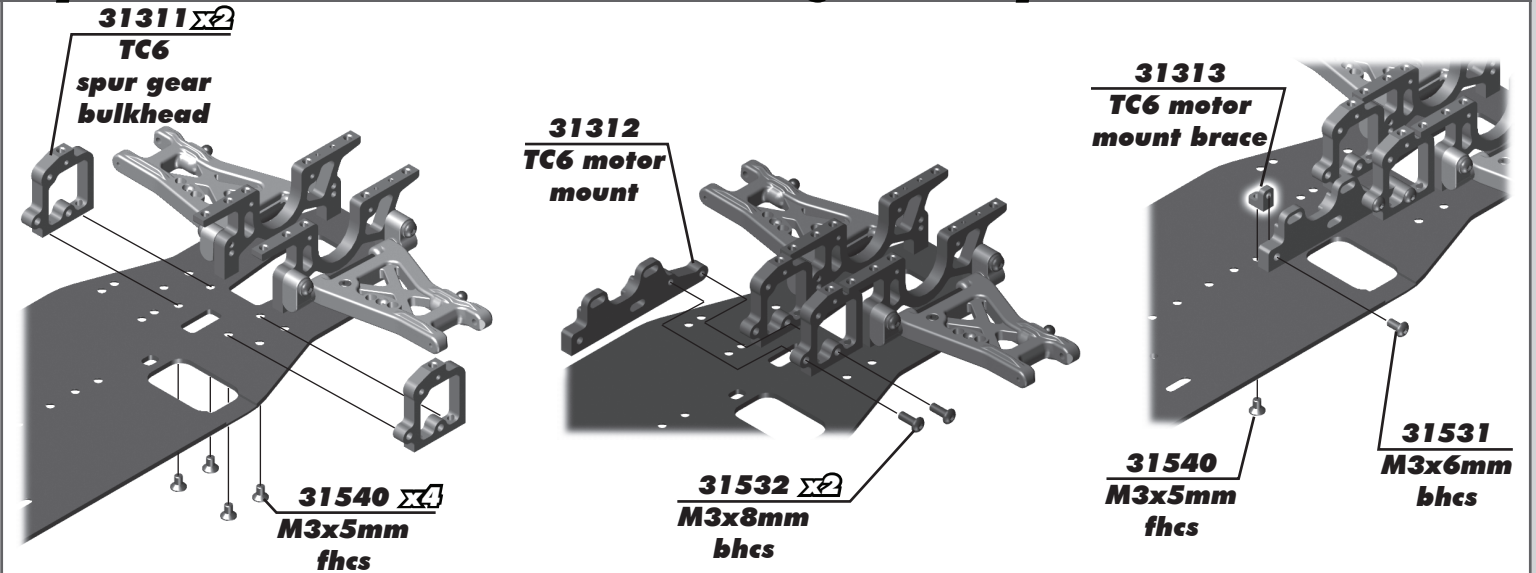
31540 $\Sigma 4$
M3x5mm fhcs

Arm Mount Shims

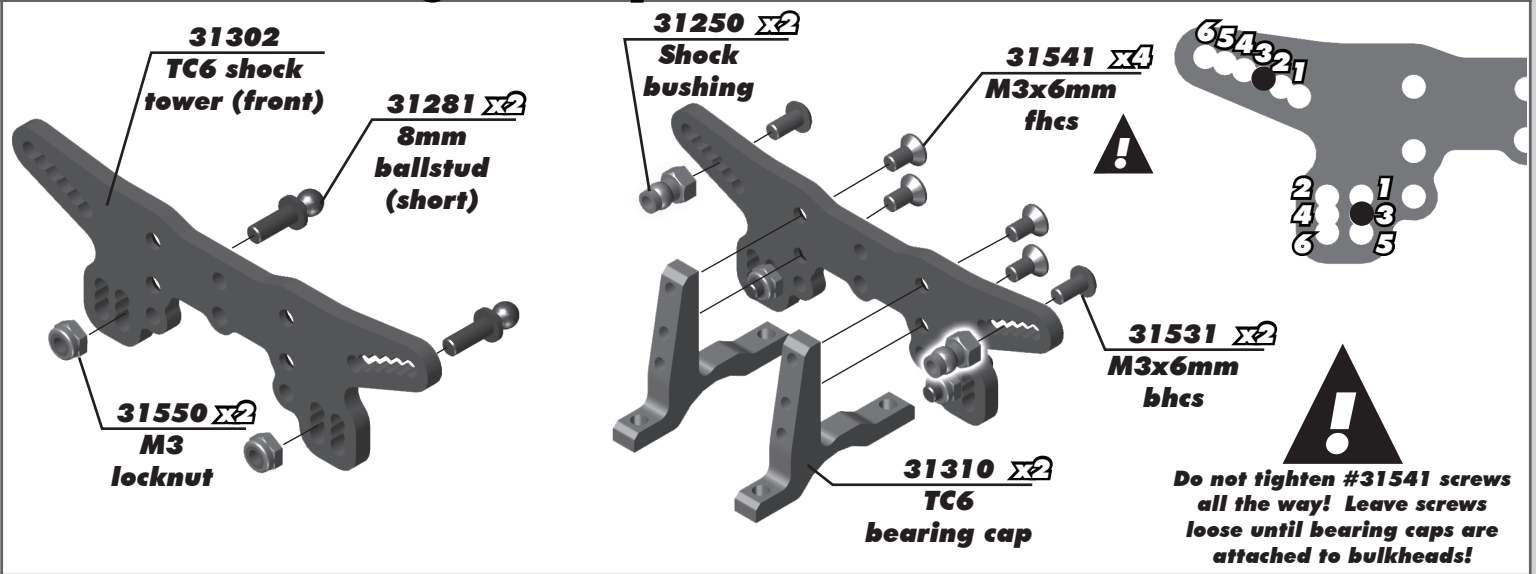
8 | | |
1° 1.5° 2°

Refer to page 27 for droop settings!

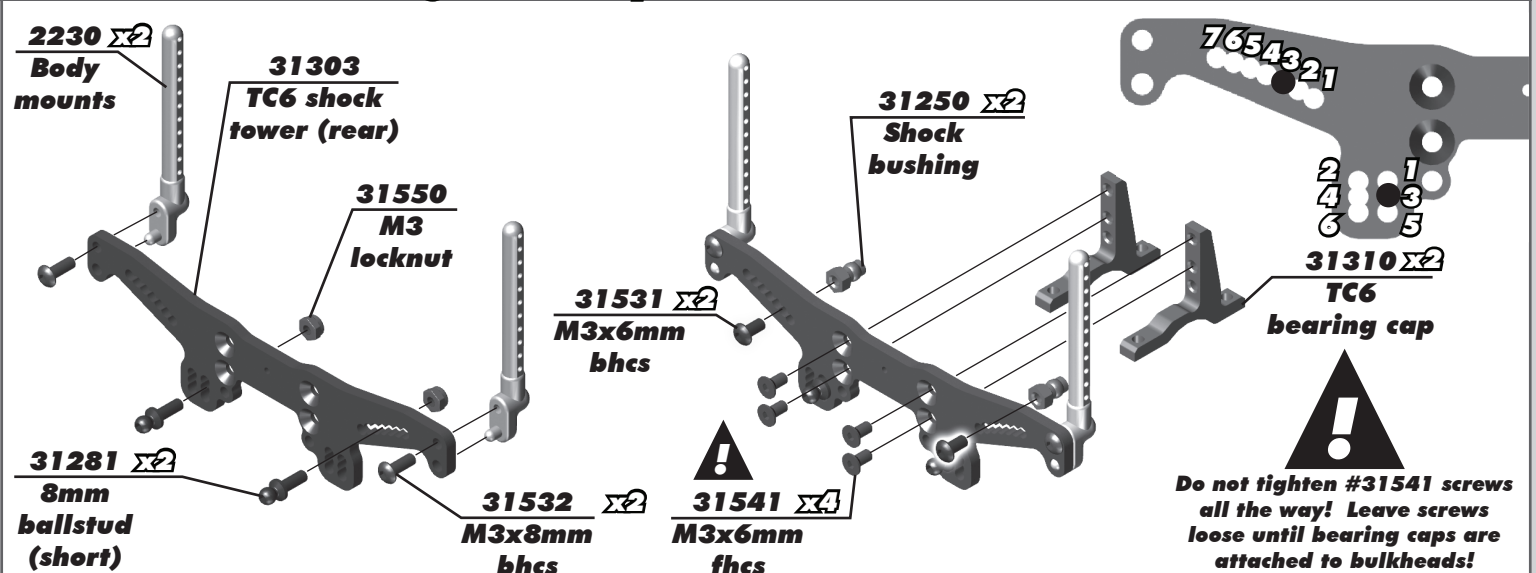
:: Spur Gear Bulkhead/Motor Mount Install - Bag D-DD - Step 1



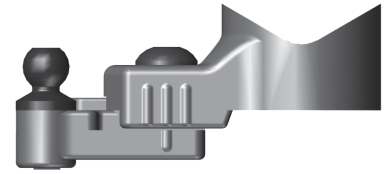
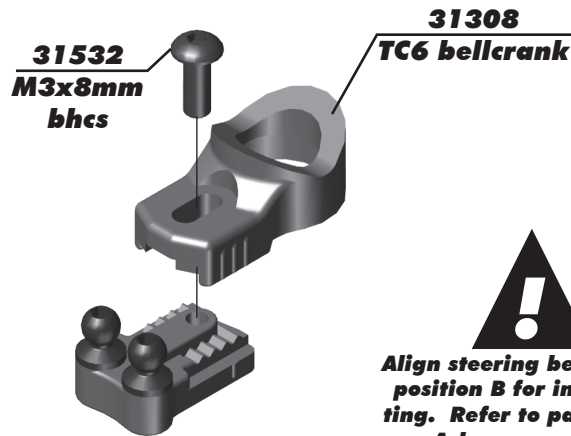
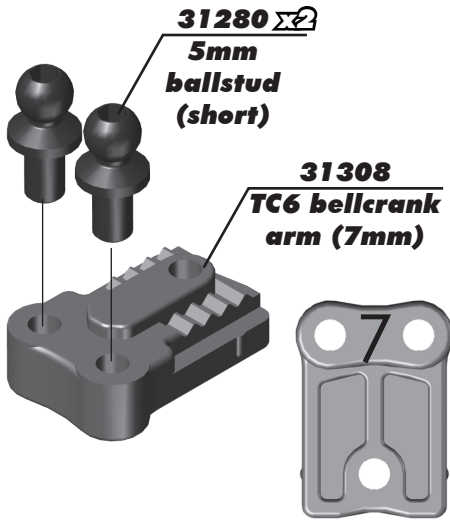
:: Shock Tower Build - Bag D-DD - Step 1



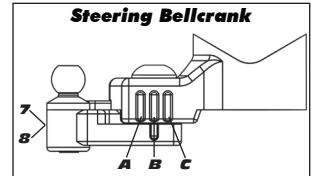
:: Shock Tower Build - Bag D-DD - Step 2



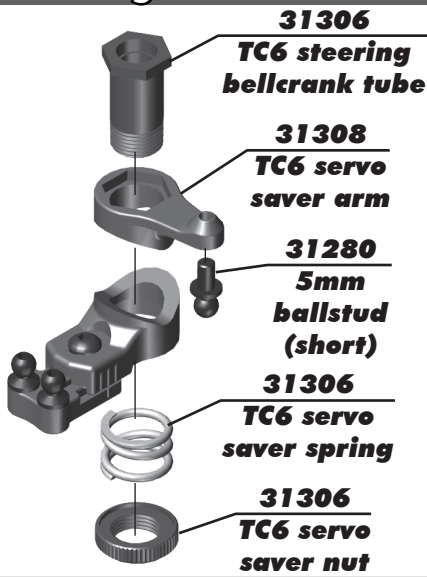
:: Steering Bellcrank Build / Install - Bag E - Step 1



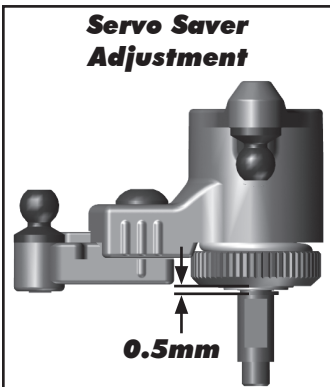
!
Align steering bellcrank to position B for initial setting. Refer to page 26 for Ackermann chart.



:: Steering Bellcrank Build / Install - Bag E - Step 2

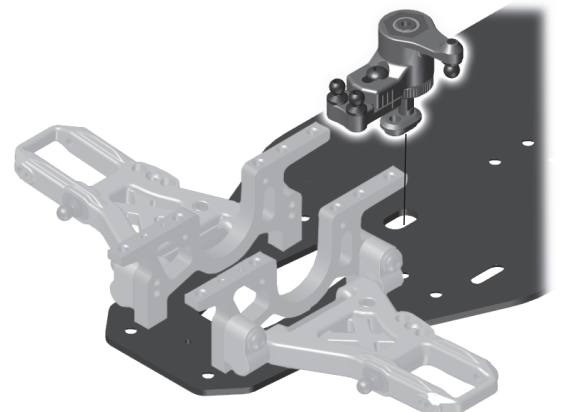


:: Steering Bellcrank Build / Install - Bag E - Step 3

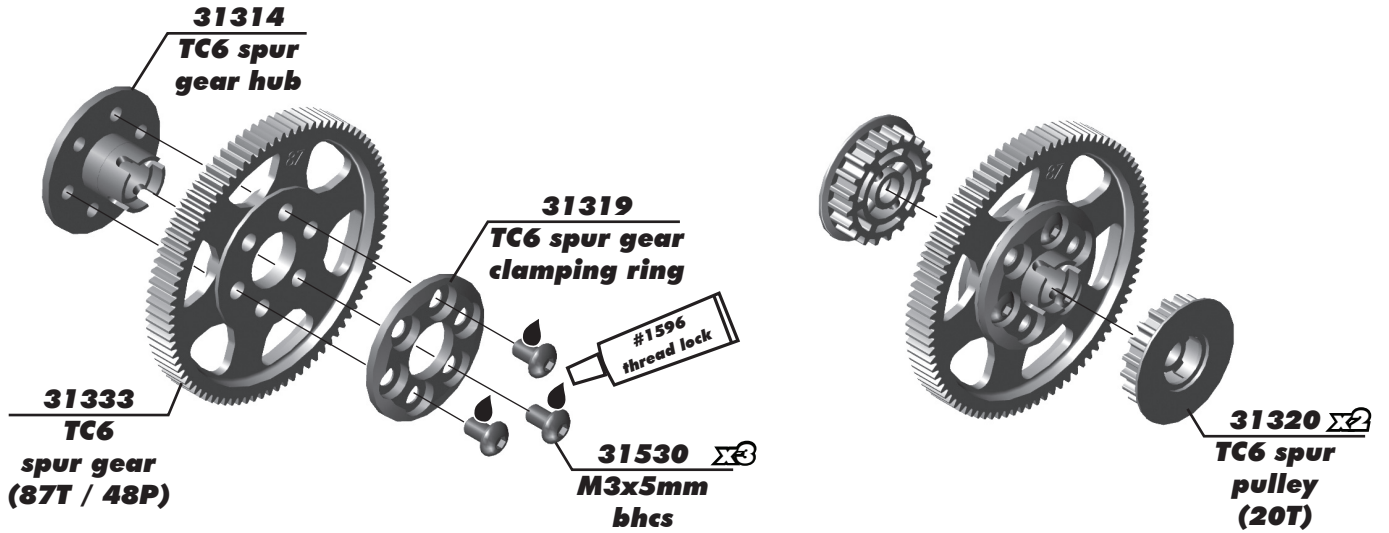


!
Use rear hole for standard position! Refer to page 26 for Ackermann chart

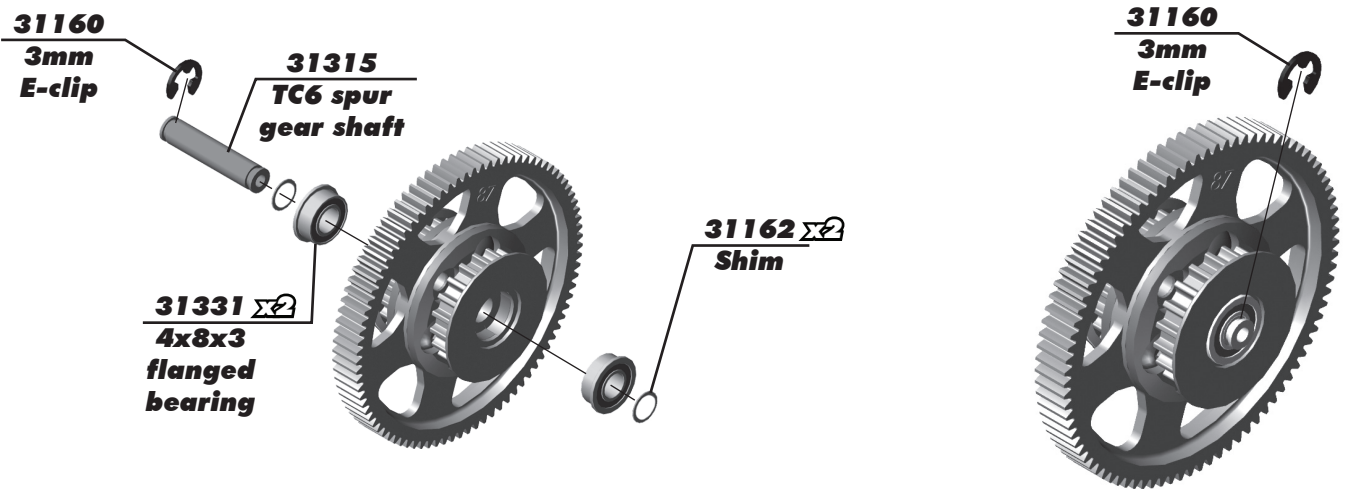
31308
TC6 steering bellcrank post insert



:: Spur Gear Shaft Build - Bag F - Step 1



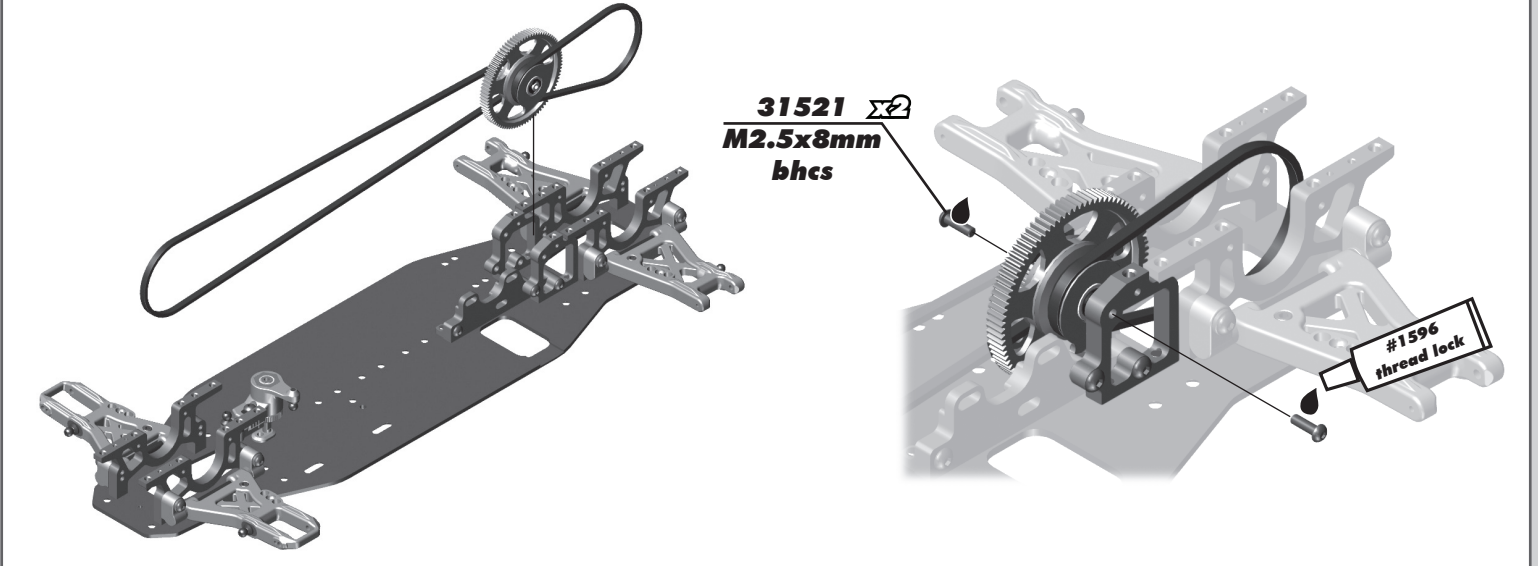
:: Spur Gear Shaft Build - Bag F - Step 2



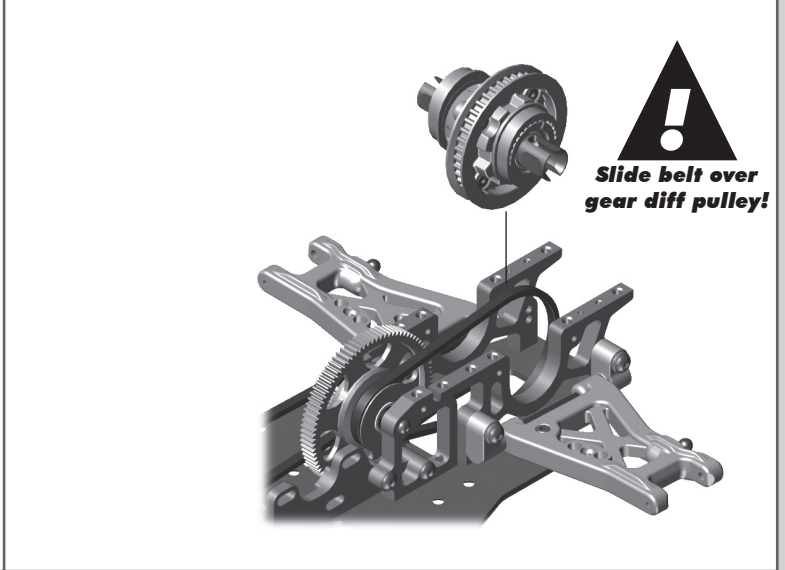
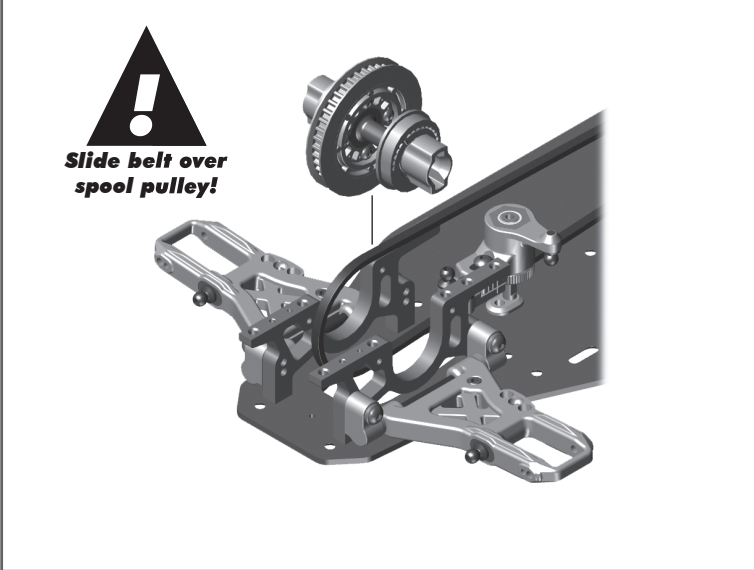
:: Spur Gear Hub / Belts Install - Bag F - Step 1



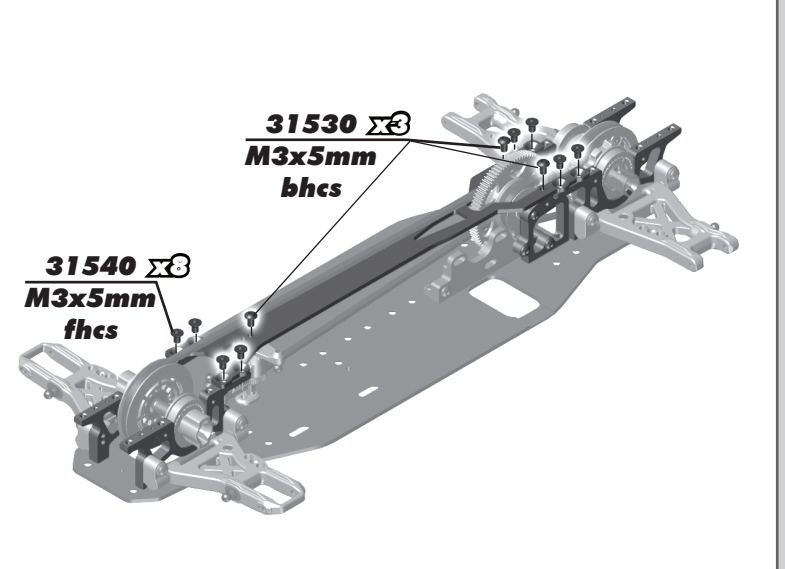
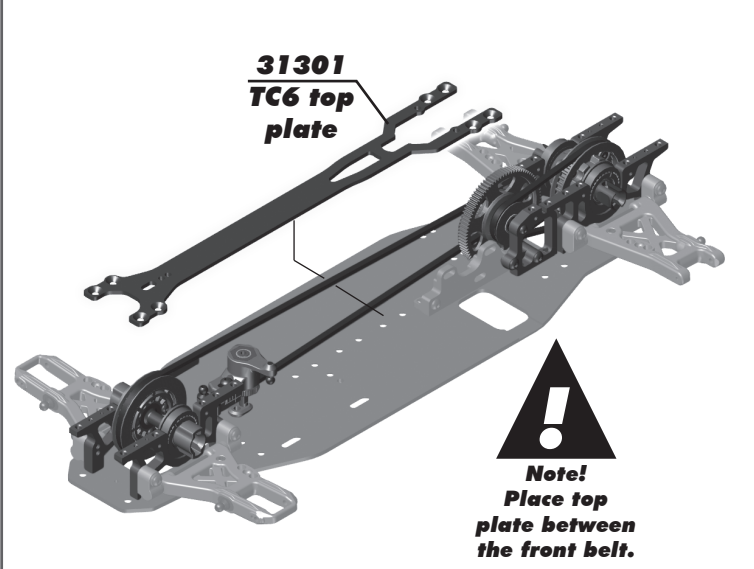
:: Spur Gear Hub / Belts Install - Bag F - Step 2



:: Front Spool / Rear Gear Differential Install - Bag F - Step 1

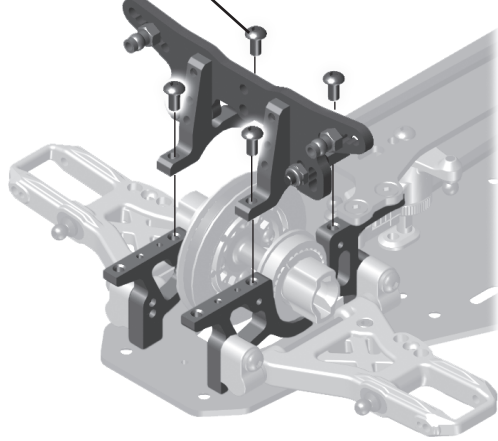


:: Top Plate / Bearing Caps Install - Bag F - Step 1



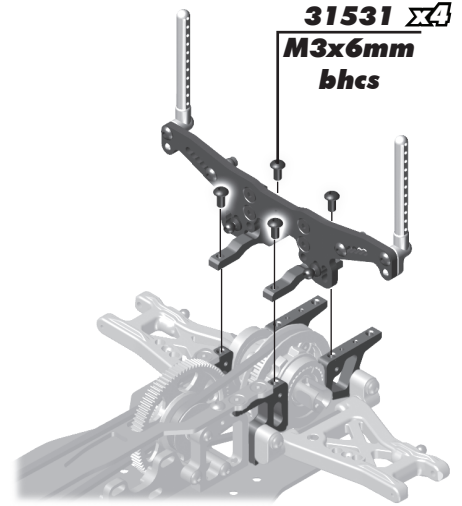
:: Top Plate / Bearing Caps Install - Bag F - Step 2

31531 $\Sigma 4$
M3x6mm
bhcs



**Tighten #31531 screws.
Then tighten #31541
shock tower screws from
page 12!**

31531 $\Sigma 4$
M3x6mm
bhcs



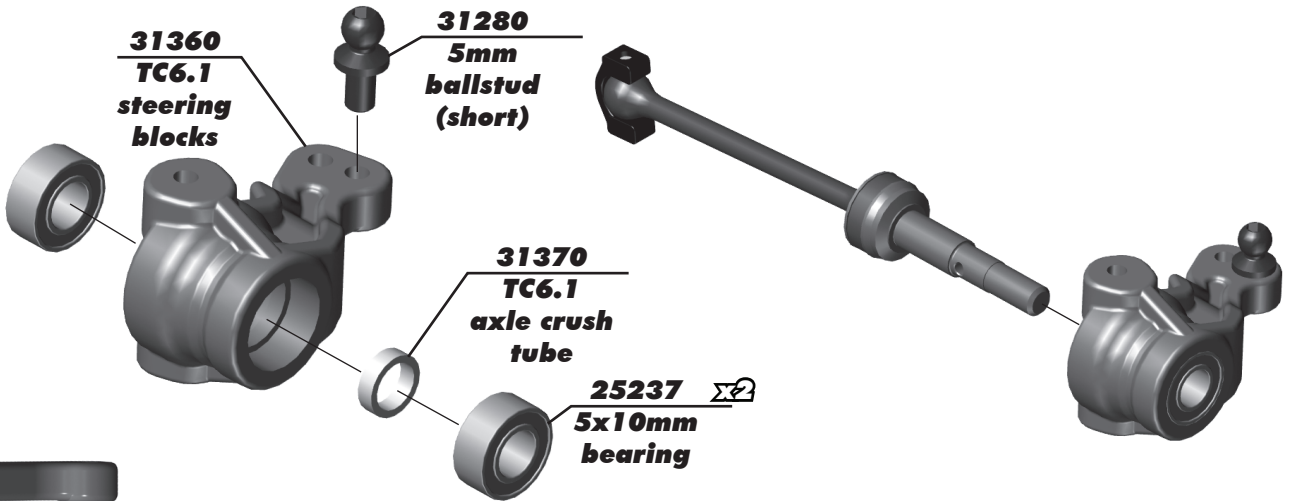
:: Steering Block Build / Install - Bag G - Step 1

31360
TC6.1
steering
blocks

31280
5mm
ballstud
(short)

31370
TC6.1
axle crush
tube

25237 $\Sigma 2$
5x10mm
bearing



:: Steering Block Build / Install - Bag G - Step 2

31358
TC6.1 caster
blocks
(left and right)



**Use the supplied
symmetric inserts to
select caster angle.
The number should
be on top for left and
right caster blocks
as shown.**



31358 $\Sigma 2$
TC6.1 caster
block
inserts
(4 deg)



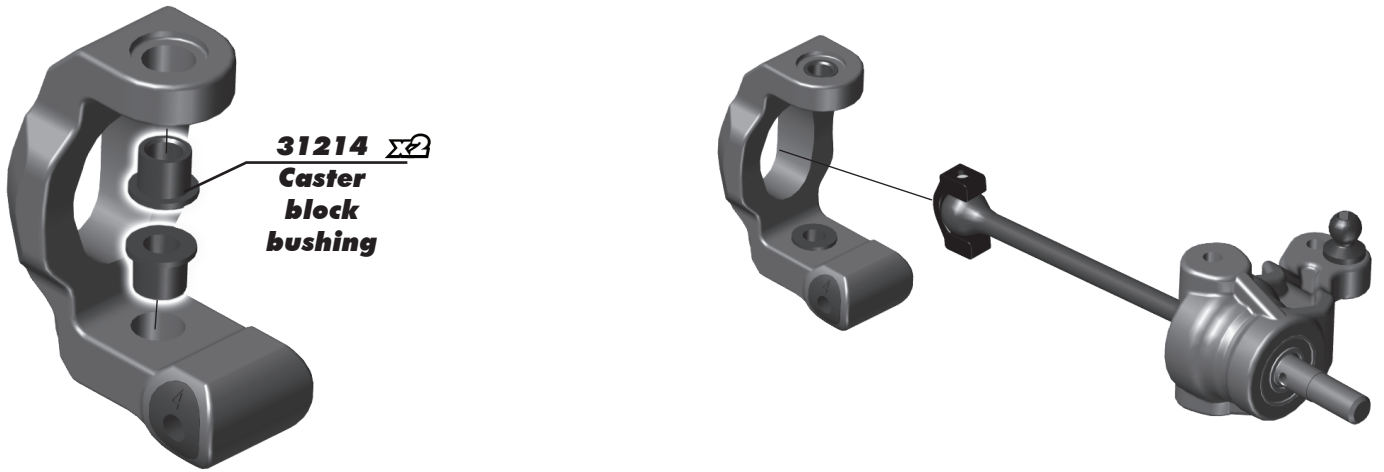
RACERS TIP:
Use small amount ca glue to
permanently secure the caster
block inserts in the caster
blocks.

Left

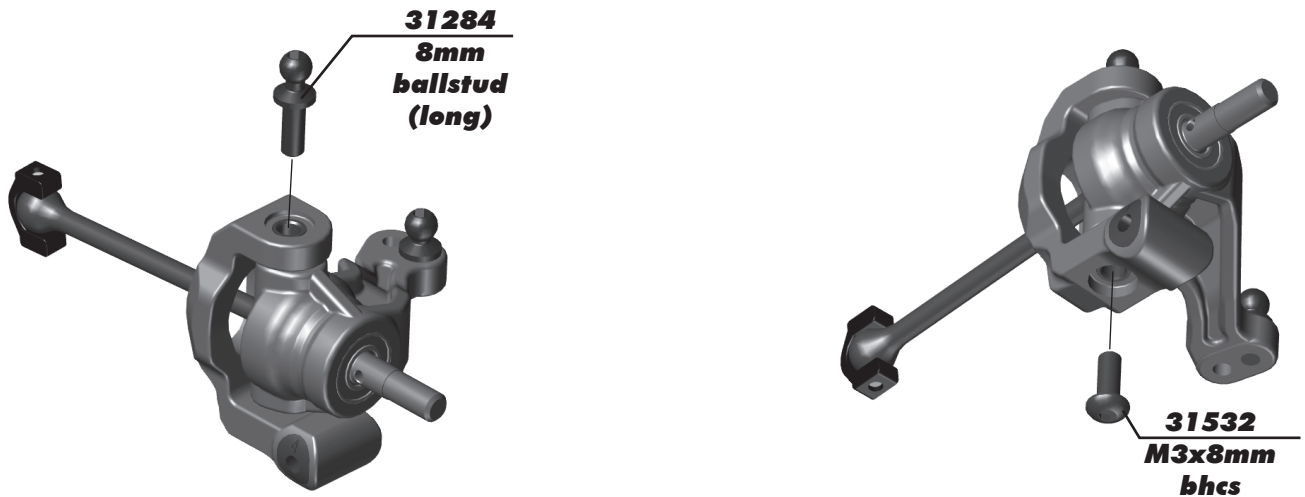
Right



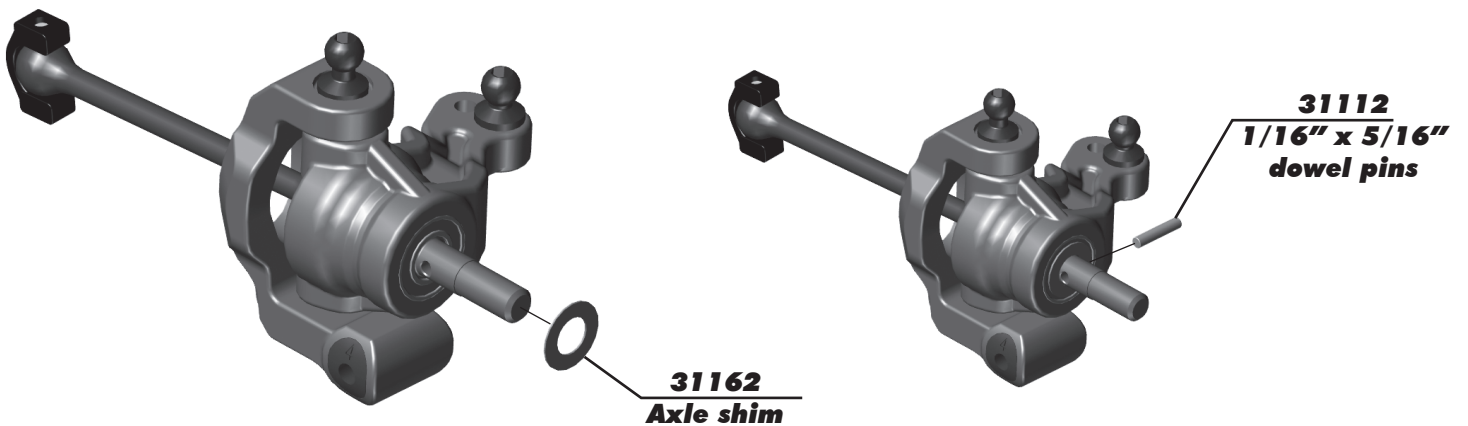
:: Steering Block Build / Install - Bag G - Step 3



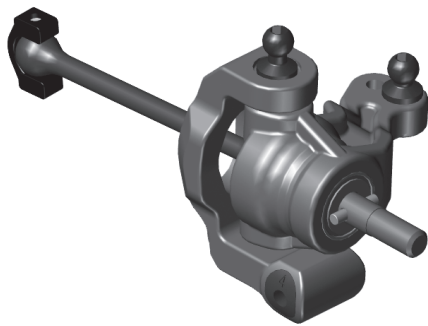
:: Steering Block Build / Install - Bag G - Step 4



:: Steering Block Build / Install - Bag G - Step 5



:: Steering Block Build / Install - Bag G - Step 6

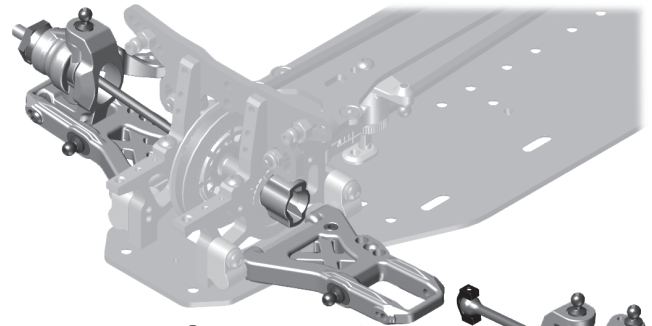


31511 $\Sigma 2$
M2x5mm
shcs



31234 $\Sigma 2$
Clamping
wheel hex

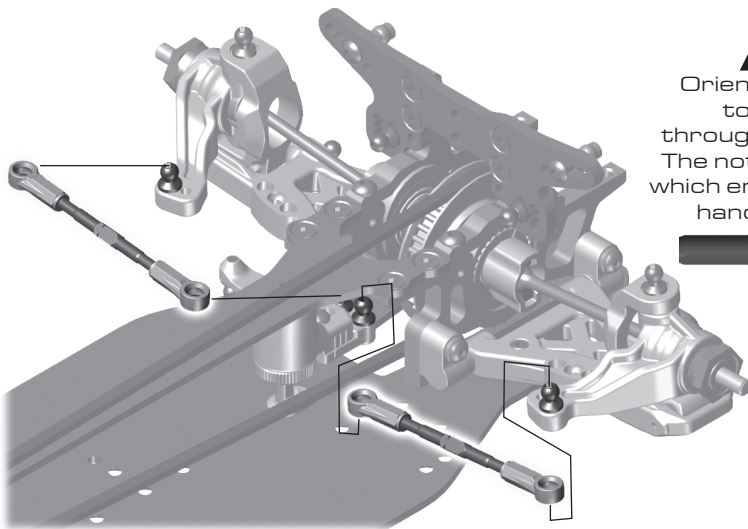
!
**Build left
and right
sides**



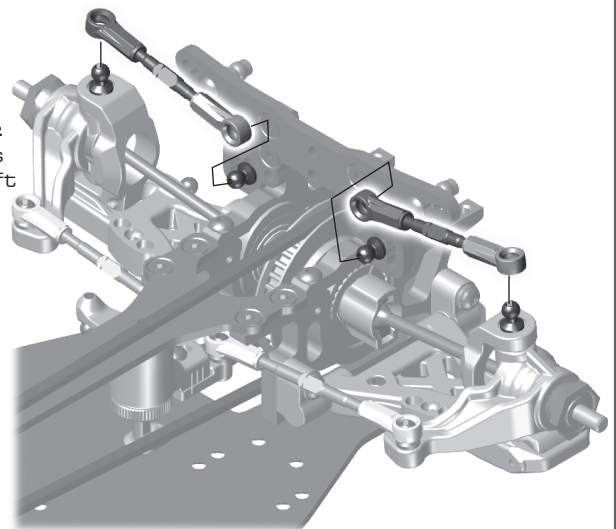
31222 $\Sigma 2$
Outer
hinge pin

31510 $\Sigma 2$
M2x4mm
bhcs

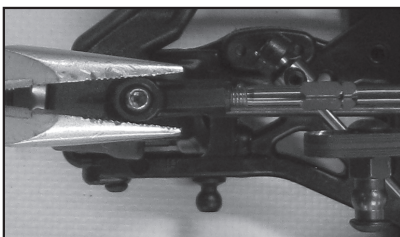
:: Steering Block Build / Install - Bag G - Step 7



!
Orient the notch
to the left
throughout the car.
The notch indicates
which end has the left
hand threads!



:: Steering Block Build / Install - Bag G - Step 8



!

It is important that the turnbuckle eyelets move freely once snapped on to the ballstud. If the fit is too tight, the car handling will be inconsistent. To check, grab turnbuckle eyelet with fingers and rotate the cup. If there is resistance, lightly squeeze ball cup with needle nose pliers as shown and test again. It is important that the ball cup be snapped onto the ballstud before squeezing with needle nose pliers. Be sure to check and adjust the fit for each ball cup that is installed.

:: Rear Hubs Build / Install - Bag G - Step 1

31359 $\Sigma 2$
TC6.1
rear hub carrier

31359
TC6.1
rear hub carrier inserts (0 deg)

Use the supplied symmetric inserts to select rear hub toe angle. The number should be on the outside of the hub for left and right hubs as shown.

RACERS TIP:
Use small amount of ca glue to permanently secure the rear hub inserts in the hubs.

Left **Right**

:: Rear Hubs Build / Install - Bag G - Step 2

31284
8mm ballstud (long)

31286
Aluminum ballstud washer (2mm)

31370
TC6.1
axle crush tube

25237 $\Sigma 2$
5x10mm bearing

31162 $\Sigma 2$
Axle shim

:: Rear Hubs Build / Install - Bag G - Step 3

31112 $\Sigma 2$
1/16" x 5/16" dowel pins

31234 $\Sigma 2$
Clamping wheel hex

31511 $\Sigma 2$
M2x5mm shcs

Build left and right sides

:: Rear Hubs Build / Install - Bag G - Step 4

31510 $\Sigma 2$
M2x4mm
bhcs

31222 $\Sigma 2$
Outer
hinge pin

31530 $\Sigma 2$
M3x5mm
bhcs

31530 $\Sigma 2$
M3x5mm
bhcs

!
Orient the notch to the left throughout the car. The notch indicates which end has the left hand threads!

!
Refer to page 18 for turnbuckle install tips

:: Shocks Install - Bag G - Step 1

31530 $\Sigma 2$
M3x5mm
bhcs

31530 $\Sigma 2$
M3x5mm
bhcs

:: Bumper Build / Install - Bag H - Step 1

4673 $\Sigma 3$
M2.5x4mm
bhcs

31316
TC6
bumper

31316
TC6
bumper

2230 $\Sigma 2$
Body
mounts

31317
TC6
foam
bumper

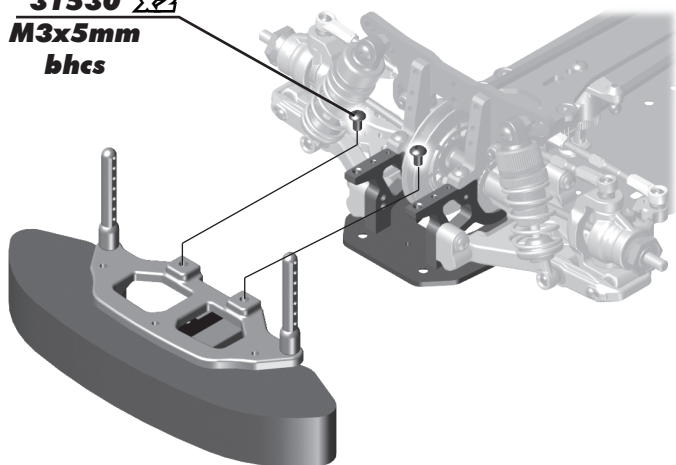
25202 $\Sigma 2$
M3x10mm
fhs

25203 $\Sigma 3$
M3x12mm
fhs

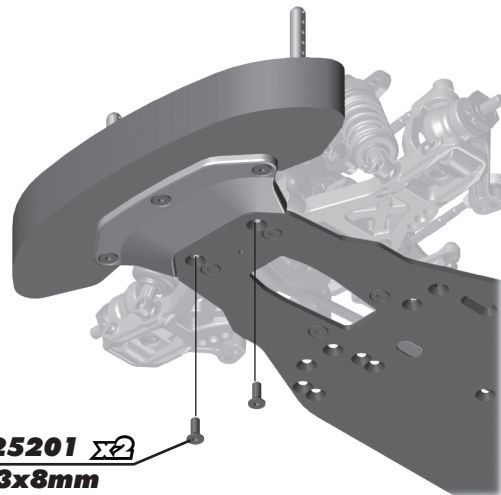
!
Transponder not included!

:: Bumper Build / Install - Bag H - Step 2

31530 $\Sigma 2$
M3x5mm
bhcs

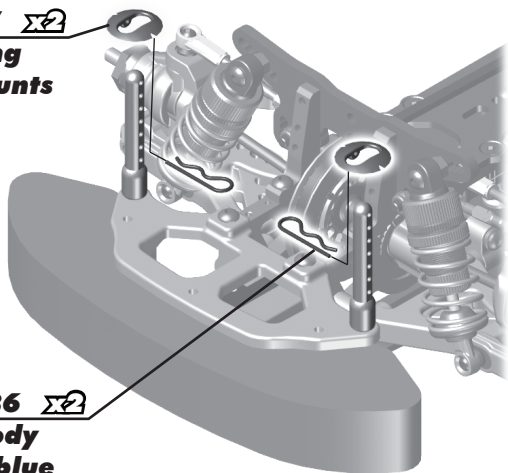


25201 $\Sigma 2$
M3x8mm
fhcs



:: Pivoting Body Mounts Install - Bag H - Step 1

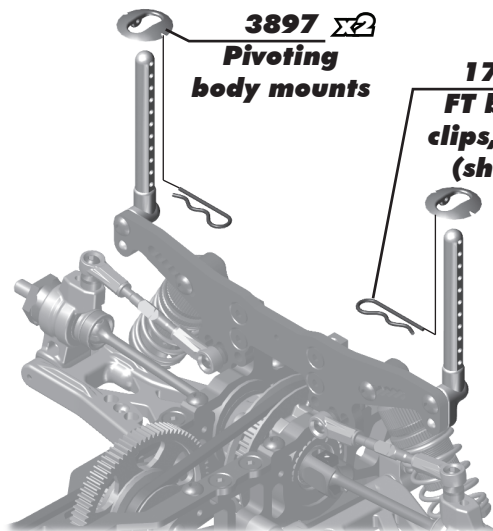
3897 $\Sigma 2$
Pivoting
body mounts



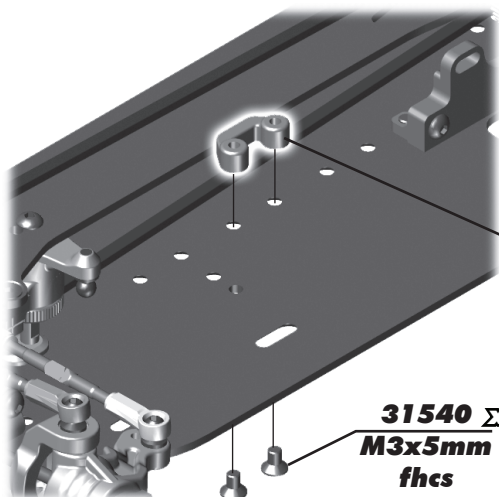
1736 $\Sigma 2$
FT body
clips, blue
(short)

3897 $\Sigma 2$
Pivoting
body mounts

1736 $\Sigma 2$
FT body
clips, blue
(short)



:: Battery Braces / Antenna Mount Install - Bag H - Step 1

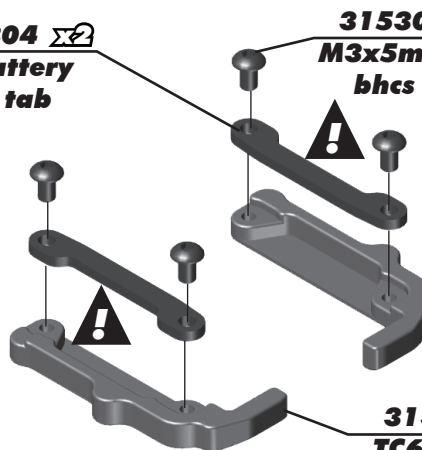


31318
TC6 inner
lipo brace

31540 $\Sigma 2$
M3x5mm
fhcs

31304 $\Sigma 2$
TC6 battery
tape tab

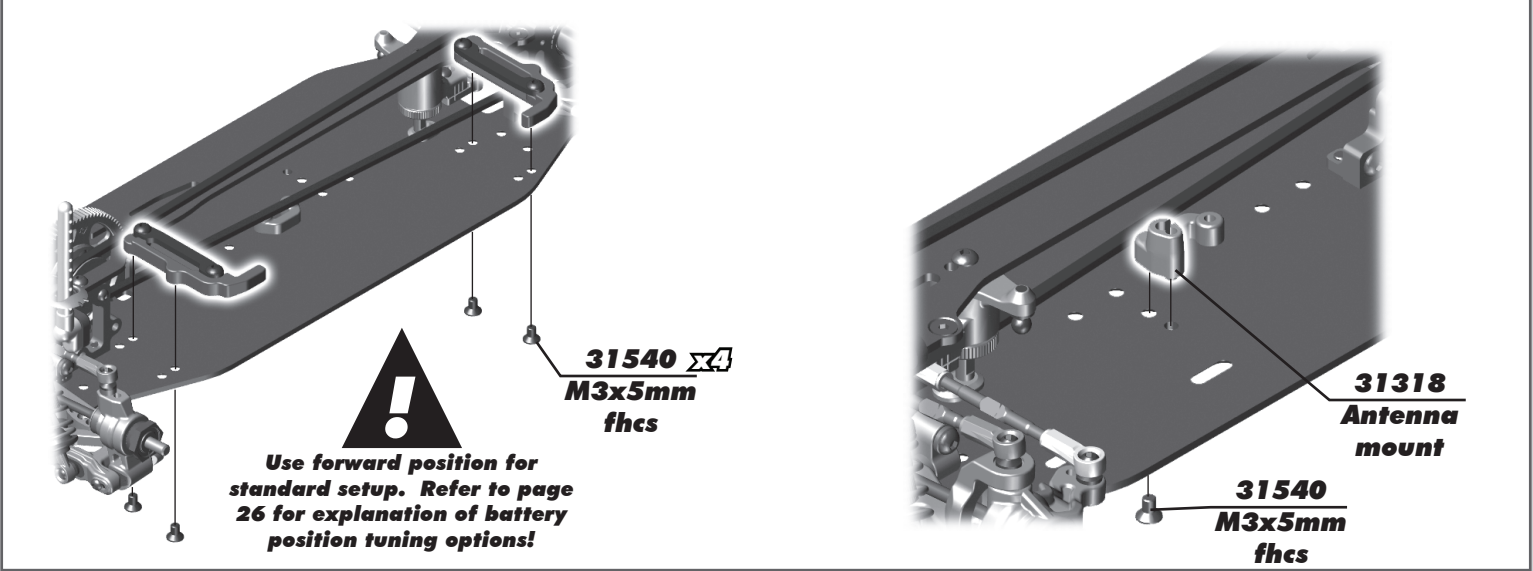
31530 $\Sigma 2$
M3x5mm
bhcs



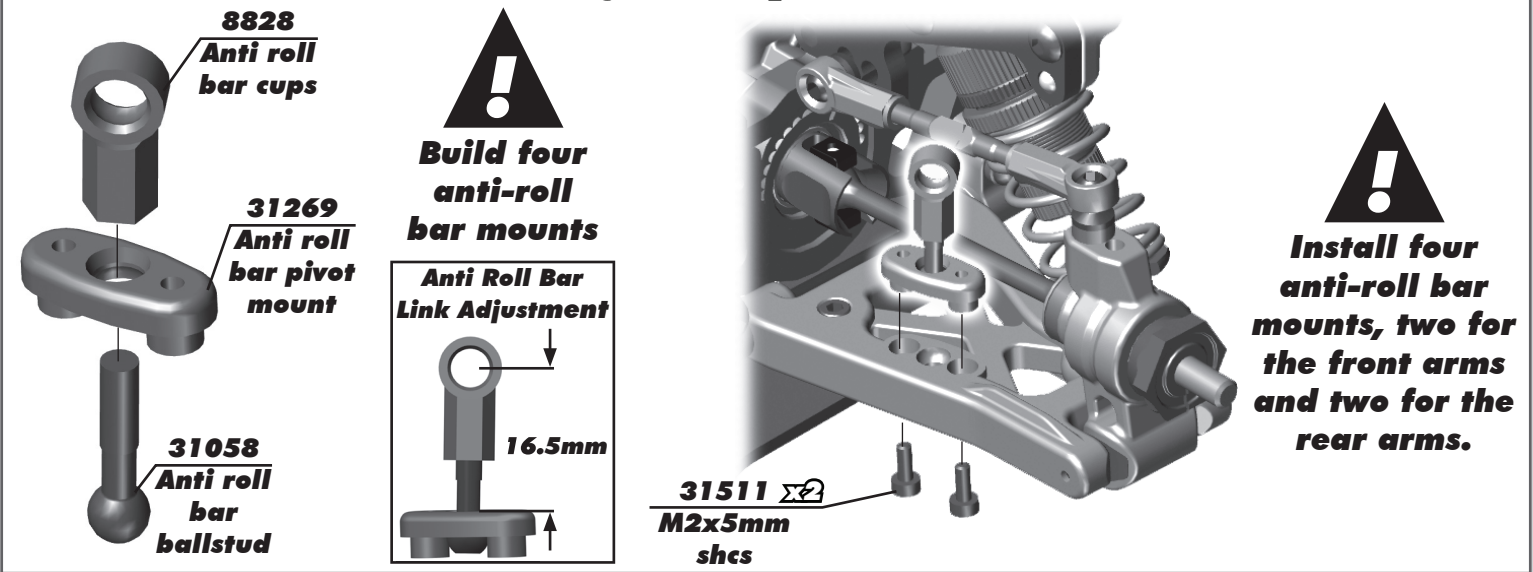
31318 $\Sigma 2$
TC6 lipo
battery
brace (fr/rr)

!
Sand the inside
edges of the TC6
battery tape tabs

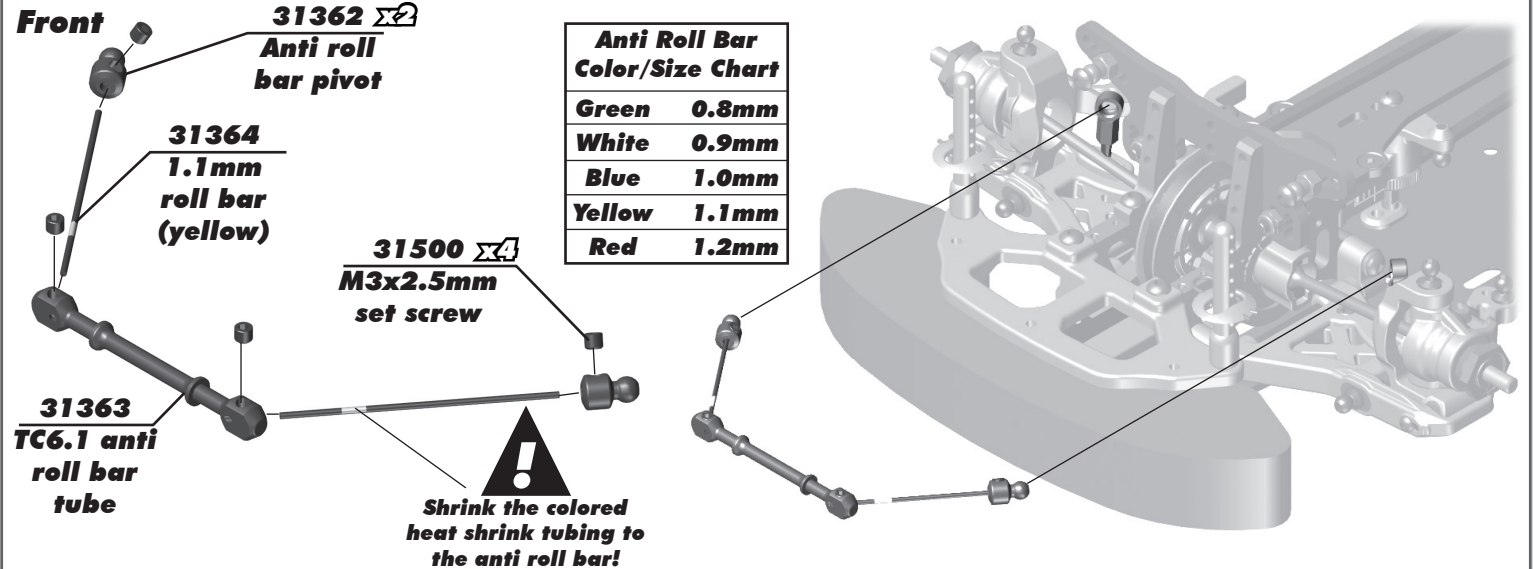
:: Battery Braces / Antenna Mount Install - Bag H - Step 2



:: Anti-Roll Bars Build / Install - Bag I-II - Step 1



:: Anti-Roll Bars Build / Install - Bag I-II - Step 2



:: Anti-Roll Bars Build / Install - Bag I-II - Step 3

31511 $\times 2$
M2x5mm shcs

31365 $\times 2$
Anti roll bar mounts

Anti Roll Bar Color/Size Chart	
Green	0.8mm
White	0.9mm
Blue	1.0mm
Yellow	1.1mm
Red	1.2mm

Rear

31362 $\times 2$
Anti roll bar pivot

31364
0.9mm roll bar (white)

31500 $\times 4$
M3x2.5mm set screw

31363
TC6.1 anti roll bar tube

!
Shrink the colored heat shrink tubing to the anti roll bar!

:: Anti-Roll Bars Build / Install - Bag I-II - Step 4

31511 $\times 2$
M2x5mm shcs

31365 $\times 2$
Anti roll bar mounts

:: Servo Build / Install - Bag J - Step 1

31286
Aluminum ballstud washer (1mm)

31280
5mm ballstud (short)

89007
Servo horn ring

9180
Servo horn

!
Use screw that was included with your servo. Servo not included!

7337 $\times 4$
.250x.125x.015 washer

7336 $\times 2$
Servo spacer

31532 $\times 4$
M3x8mm bhcs

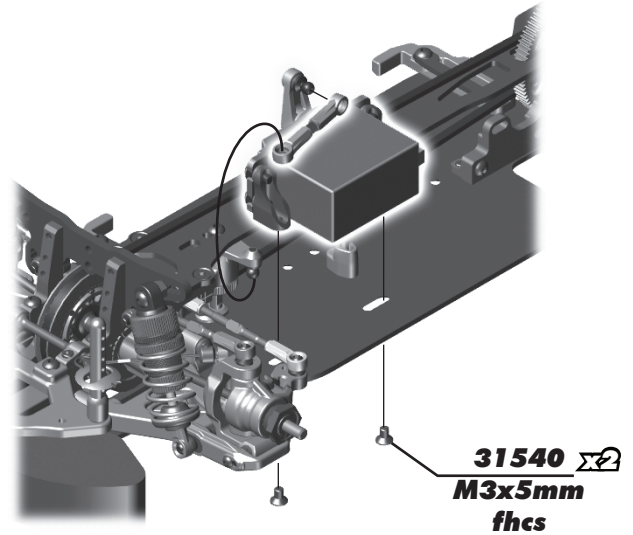
31246 $\times 2$
Servo mounts

:: Servo Build / Install - Bag J - Step 2

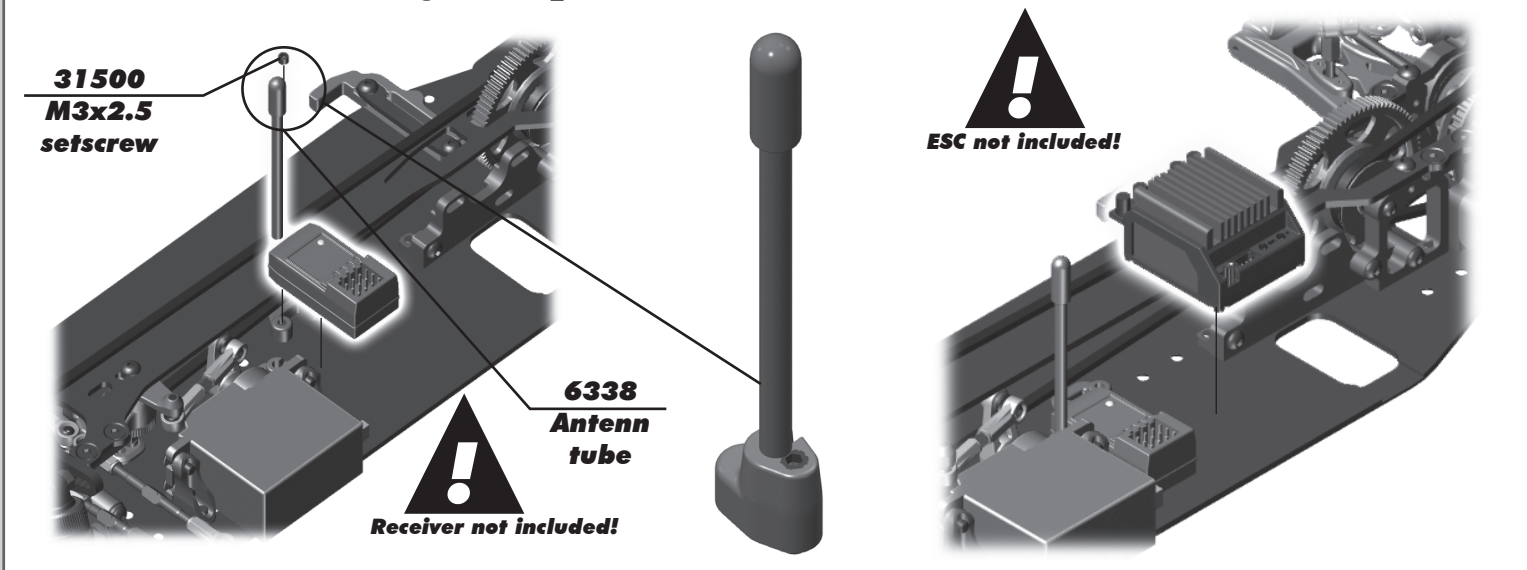
Steering Servo Chart

Associated	XP-1015, XP-1313	# 9180 servo arm
Airtronics	94102	F
Airtronics	94738, 94157, 94158, 94257, 94258, 94357, 94358, 94452, 94453, 94751, 94755	A
Hitec	HS-5625MG, HS-5645MG, HS625MG, HS645MG	H
Hitec	HS-322HD, HS-325HB, HS-965, HS-985MG, HS-5965, HS-5985MG, HS-425BB, HS-422	H
JR	Z4725, Z4750, Z2750, Z8450, Z8550, NES-4750	J
JR	Z250, Z550	J
Futaba	S9204, S9250, S9450, S148	F
Futaba	S3003, S9202, S9101	F
Futaba	S9404	F
KO	PS-401, PS-2001, PS-2004, PS-2015, PS-2173, PS-2174, PS-2123, PS-2143, PS-2144	J

* Not all servo's are listed
 * Make sure servo linkage clears the servo through full travel in both directions. Use #7336 servo spacers to adjust servos position as necessary.



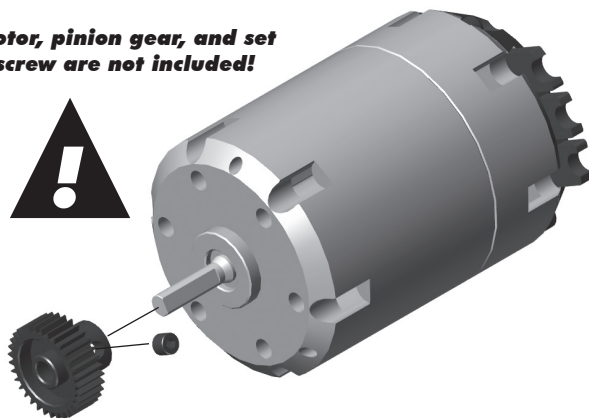
:: Electronics Install - Bag J - Step 1



:: Electronics Install - Bag J - Step 2

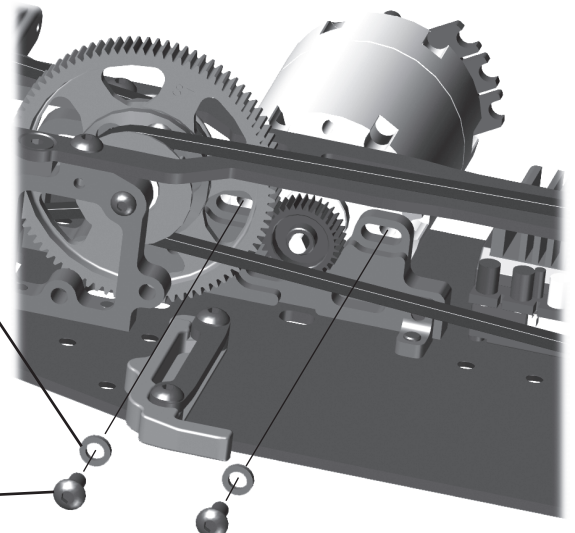
Gearing will depend on the motor and track size.

Motor, pinion gear, and set screw are not included!



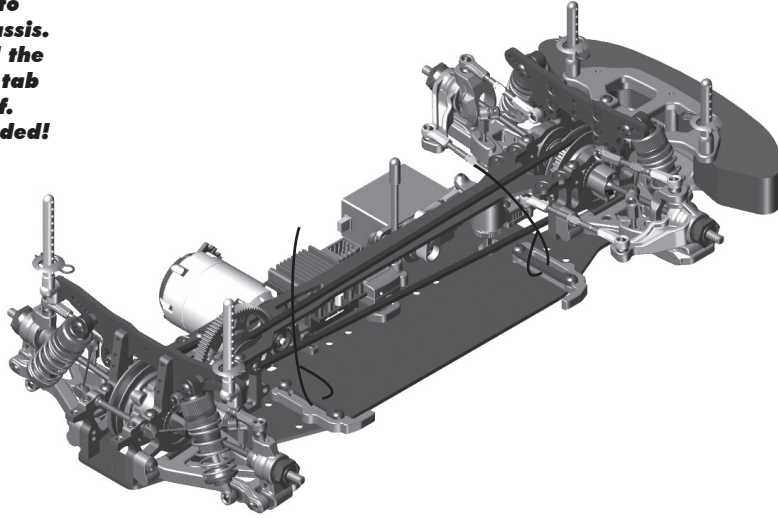
31286 **Aluminum ballstud washer (1mm)**

31531 **M3x6mm bhcs**



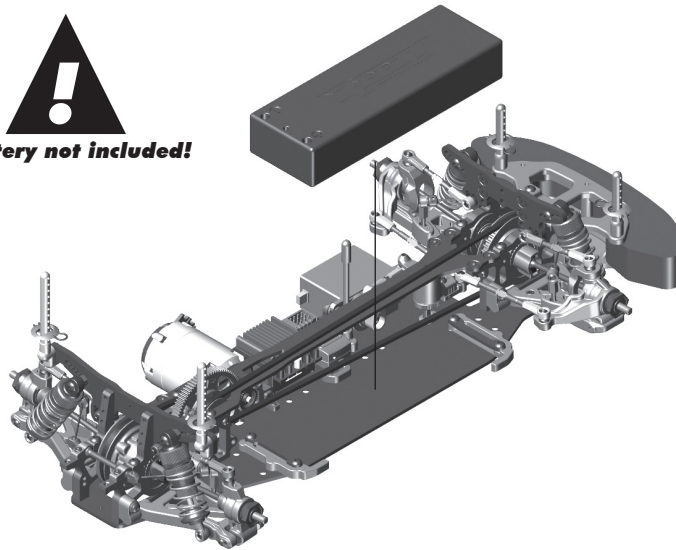
:: Electronics Install - Bag J - Step 3

Use strapping tape to secure battery into chassis. Wrap the tape around the #31304 battery tape tab and back onto itself. Battery tape not included!



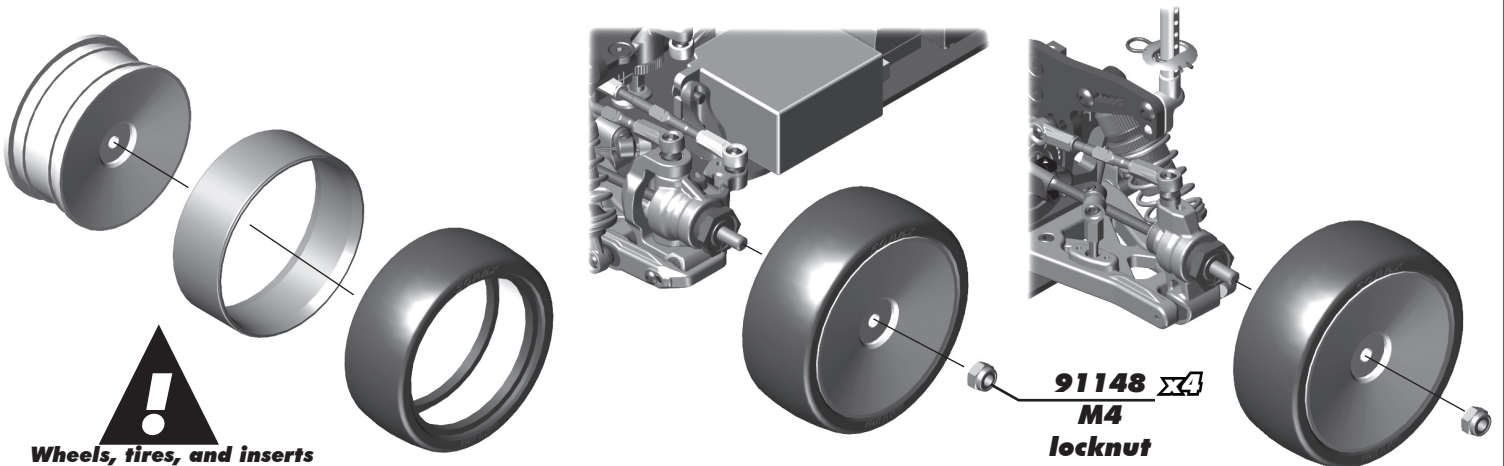
:: Electronics Install - Bag J - Step 4


Battery not included!



:: Wheel & Tire Build / Install - Bag J - Step 1


Wheels, tires, and inserts not included!



:: Tuning Tips

Tips for Beginners:

Before making any changes to the standard setup, make sure you can get around the track without crashing. Changes to your car will not be beneficial if you can't stay on the track. Your goal is consistent laps.

Once you can get around the track consistently, start tuning your car. Make only ONE adjustment at a time, testing it before making another change. If the result of your adjustment is a faster lap, mark the change on the included setup sheet (make additional copies of the sheet before writing on it). If your adjustment results in a slower lap, revert back to the previous setup and try another change.

When you are satisfied with your car, fill in the setup sheet thoroughly and file it away. Use this as a guide for future track days or conditions.

Ride Height:

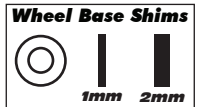
The standard starting point for ride height is 5.0mm (keep in mind that your local track may have minimum ride height requirements). You can slightly raise the rear relative to the front to give the car more steering. Raise the car slightly for tracks with large bumps.

Battery Placement:

For most cases, run the battery in the standard forward position. Typically this will be the most stable and easiest to drive. Try moving the battery back if you encounter a low traction surface.

Wheelbase:

Lengthening the front will reduce steering, shortening the front will increase steering. Shortening the rear will increase rear grip, lengthening the rear will decrease rear traction.



Rear Toe-In:

Decreasing toe-in will decrease rear traction and increase corner speed. Use numbered toe shims for adjustment.



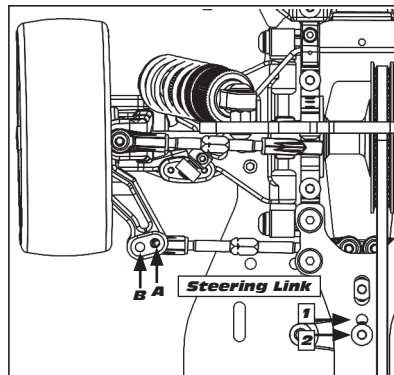
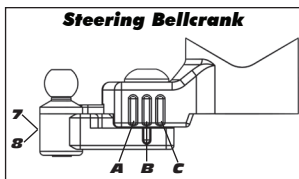
Ackermann & Steering Rate:

Ackermann refers to the relative angle difference between the front wheels as they are turned to steer the car. The outside wheel will turn less than the inside wheel in most conditions. Settings with more Ackermann will have a bigger difference in wheel angle, causing the outside wheel to turn less. Likewise, settings with less Ackermann will cause the outside wheel to turn more.

Increasing the Ackermann will smooth out the steering and is used most often on high traction surfaces such as carpet. This is a result of the reduced outside wheel angle. Settings with reduced Ackermann will help to increase corner entry steering, and are typically used when running a spool in the front.

The steering rate is also adjusted when changing the length of the steering bellcrank. There are three rate options. The shortest position (position C) produces a slower speed than the longest position (position A). Slower steering rates will make the car less aggressive, making it easier to drive. These settings are good for high traction conditions such as carpet.

The chart to the right lists the different Ackermann options along with their associated steering rates.



Steering Bellcrank	Steering Link	Steering Speed	
7A	2B	Fast	Less Ackermann ↑
8A	2B	Fast	
7C	1B	Slow	
8C	1B	Slow	
7B	2B	Medium	STD
8B	2B	Medium	More Ackermann ↓
7A	2A	Fast	
8A	2A	Fast	
7C	1A	Slow	
8C	1A	Slow	
7B	2A	Medium	
8B	2A	Medium	

:: Tuning Tips

Caster:

Caster describes the angle of the kingpin from vertical while looking from the side of the car. Positive caster means the top of the kingpin leans rearward. Negative caster means the kingpin is leaning towards the front of the car. Since caster is measured at the wheel, it is affected by running any inclination in your inboard arm mount. Kick-up adds (+) caster, and anti-dive adds (-) caster.

When figuring out your caster at the wheel, add the number of degrees of kick-up or anti-dive and add it to the degree caster blocks you have on the car.

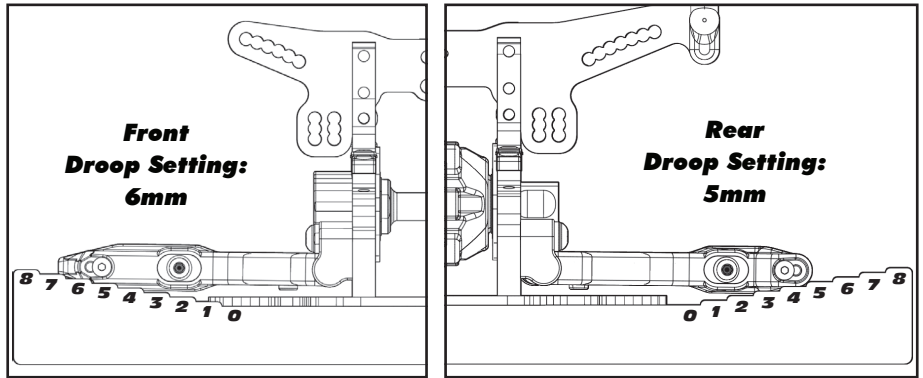
Typically for most racing surfaces, 4 degrees caster is the normal starting point for the Team. From there, increase caster to reduce mid to exit steering and make the front end less responsive. Conversely, decreased caster gives a more responsive feel and more exit steering.

Droop:

The standard settings of 6mm front and 5mm rear will work best in most cases. Droop is measured just underneath the outer hinge pin as shown in the photos to the right.

On bumpy or low grip surfaces, increase the droop (going to a lower number on the droop gauge), this will help increase traction and consistency.

Droop adjustments of 0.5mm to 1mm can be very effective on the track!



Camber Link Position:

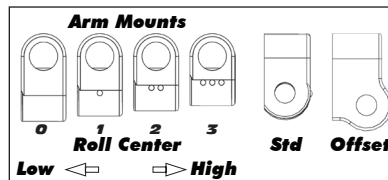
The camber link is used to set static camber at ride height, but it is also an effective setting to adjust roll center height and camber gain. The TC6.1 has 7 positions for the front camber link, and 14 for the rear. These positions vary in both length and angle.

Longer links will produce less camber gain, stiffening that particular end of the car in roll. These are particularly effective on large tracks with big sweeping corners. Shorter links will give more camber gain, softening that end of the car in roll. This will make the car more aggressive, and is a good setting for smaller indoor tracks with high grip levels.

The angle of the camber link will make fine adjustments to the roll center height. Typically the camber link will be no more than parallel to the suspension arm with the inboard side of the link lower than the outboard side. As the inboard side of the camber link is moved down, the roll center goes up, stiffening that end of the car. Camber link angle is a good adjustment to help fine tune the balance of the car to the track by setting the front and rear at slightly different angles.

Arm Mount Position:

The TC6.1's arm mounting system allows for maximum adjustability for all track and racing conditions. Six arm mount positions allow you to run the pins flat, or with angle to produce kick-up, anti-dive, anti-squat, and pro-squat. The arm mounts are indicated zero, one, two, and three, with the corresponding number of dots on the outer face. Zero is the lower roll center and three the higher roll center, with one and two in order between.



The TC6.1 adds offset arm mounts that move the inner hinge pin out from centerline by 2mm. These help to minimize (or eliminate) the use of shims behind the arm mount, and will help to add strength and rigidity to the suspension system. The typical racing setup will use offset arm mounts for both the forward and rearward positions on the front arm. With the rear arm mounted using standard arm mounts for the forward position, and offset arm mounts for the rearward positions (producing 2.5 degrees of rear toe-in).

Each bulkhead has two positions to attach the arm mount to. The lower position (A) is used for the lowest roll center options, and the upper position (B) is used for the highest roll center options.

In general, lower roll centers will effectively make the car softer in roll, allowing the car to lean more in the corners. Lower roll center positions are good for low traction conditions. If the grip level is high, then raising the roll centers to a higher position will help to stiffen the car in roll making it more stable.

The following chart shows some examples of arm mounting positions along with their resulting arm angles shown in degrees.

	Fwd Mount	Rwd Mount	Result	Roll Center		Fwd Mount	Rwd Mount	Result	Roll Center
Front	2B	1B	1° Kick Up	↑ High	↓ Low	2B	1B	1° Anti-Squat	↑ High
	2B	0B	2° Kick Up			2B	0B	2° Anti-Squat	
	1B	1B	Flat			1B	1B	Flat	
	0B	2B	2° Anti Dive			0B	2B	2° Pro-Squat	
	0B	1B	1° Anti Dive			0B	1B	1° Pro-Squat	
	1B	0B	1° Kick Up			1B	0B	1° Anti-Squat	
	1B	3A	2° Kick Up			1B	3A	2° Anti-Squat	
	0B	0B	Flat	Std.		0B	0B	Flat	Std.
	3A	1B	2° Anti Dive	↓ Low		3A	1B	2° Pro-Squat	↓ Low
	3A	0B	1° Anti Dive			3A	0B	1° Pro-Squat	
	0B	3A	1° Kick Up			0B	3A	1° Anti-Squat	
	0B	2A	2° Kick Up			0B	2A	2° Anti-Squat	
	3A	3A	Flat			3A	3A	Flat	
	2A	0B	2° Anti Dive			2A	0B	2° Pro-Squat	
2A	3A	1° Anti Dive	2A		3A	1° Pro-Squat			

:: Tuning Tips

Kick-Up (front):

Kick-up describes the angle of the front suspension arm, where the front mount is higher than the rear mount. Increasing kick-up will give more entry steering, as well as increasing caster at the wheel.

Anti-Dive (front):

Anti-dive is a front arm angle where the rear mount is higher than the front mount. Adding anti-dive reduces weight transfer to the front on deceleration entering corners. It also reduces caster at the wheel.

Anti-Squat (rear):

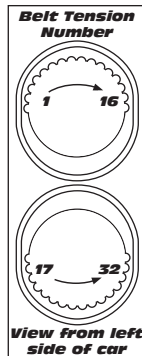
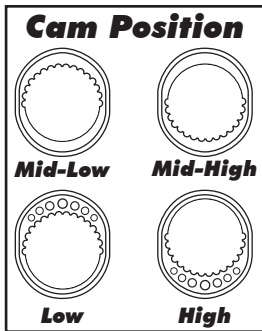
Anti-Squat describes a rear arm angle where the front mount is higher than the rear mount. Increasing anti-squat will make the rear suspension stiffer. It tends to give the car more entry steering and reduce rearward weight transfer on power.

Pro-Squat (rear):

Pro-squat is a rear arm angle where the rear mount is higher than the front mount. Running Pro-Squat will increase rearward weight transfer on power.

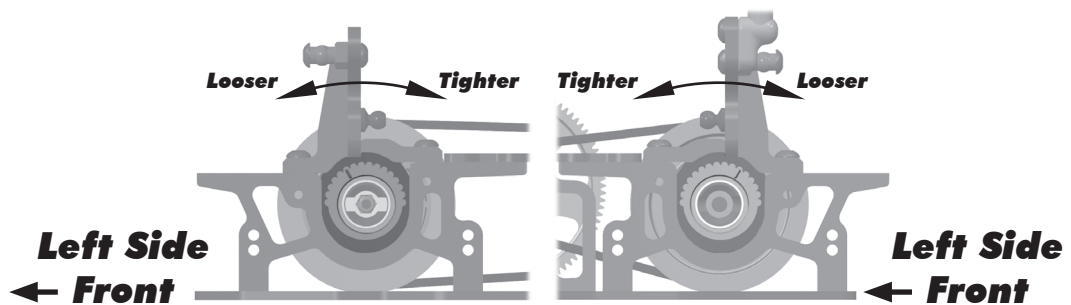
Belt Tension:

When altering the differential height, you will need to adjust the tension of the belt. The following chart shows suggested starting positions.



Front	Height	Pos.
	High	31
	Mid-High	28
	Mid	8
Low	5	

Rear	Height	Pos.
	High	18
	Mid-High	20
	Mid	7
Low	9	



Note! Charts show left side cam positions from the left side of the car. Match right side cam position to left side cam position.

Motor Gearing:

The gear charts on the following page show final drive ratio numbers for the TC6.1. Refer to motor manufacturer's suggested gear ratio for starting point. You may need to adjust the gearing according to your track size.

The following formula's can also be helpful in determining final drive ratios and pinion size.

$$TC6 \text{ Internal Ratio} = 2.0$$

$$\text{Final Drive Ratio} = \frac{\text{\# of Teeth Spur} \times \text{(Internal Ratio)}}{\text{\# of Teeth on Pinion}}$$

$$\text{\# of Teeth on Pinion} = \frac{\text{\# of Teeth on Spur} \times \text{(Internal Ratio)}}{\text{Final Drive Ratio}}$$

:: Gear Chart 48 Pitch



Blank spaces in the gear charts designates a gear ratio that will not fit in the vehicle. Gear fitment will also depend on the motor brand.

Pinion teeth (48 Pitch)	Spur Gear Teeth (48 Pitch)											
	77	78	79	80	81	82	83	84	85	86	87	
15	--	--	--	--	--	--	--	--	--	--	--	11.60
16	--	--	--	--	--	--	--	--	--	10.75	10.88	
17	--	--	--	--	--	--	--	--	10.00	10.12	10.24	
18	--	--	--	--	--	--	--	9.33	9.44	9.56	9.67	
19	--	--	--	--	--	--	8.74	8.84	8.95	9.05	9.16	
20	--	--	--	--	--	8.20	8.30	8.40	8.50	8.60	8.70	
21	--	--	--	--	7.71	7.81	7.90	8.00	8.10	8.19	8.29	
22	--	--	--	7.27	7.36	7.45	7.55	7.64	7.73	7.82	7.91	
23	--	--	6.87	6.96	7.04	7.13	7.22	7.30	7.39	7.48	7.57	
24	--	6.50	6.58	6.67	6.75	6.83	6.92	7.00	7.08	7.17	7.25	
25	6.16	6.24	6.32	6.40	6.48	6.56	6.64	6.72	6.80	6.88	6.96	
26	5.92	6.00	6.08	6.15	6.23	6.31	6.38	6.46	6.54	6.62	6.69	
27	5.70	5.78	5.85	5.93	6.00	6.07	6.15	6.22	6.30	6.37	6.44	
28	5.50	5.57	5.64	5.71	5.79	5.86	5.93	6.00	6.07	6.14	6.21	

Advanced Timing Stock Brushes and Modified Brushes

Pinion teeth (48 Pitch)	Spur Gear Teeth (48 Pitch)											
	66	67	68	69	70	71	72	73	74	75	76	
36	3.67	3.72	3.78	3.83	3.89	3.94	4.00	4.06	4.11	4.17	4.22	
37	3.57	3.62	3.68	3.73	3.78	3.84	3.89	3.95	4.00	4.05	4.11	
38	3.47	3.53	3.58	3.63	3.68	3.74	3.79	3.84	3.89	3.95	4.00	
39	3.38	3.44	3.49	3.54	3.59	3.64	3.69	3.74	3.79	3.85	3.90	
40	3.30	3.35	3.40	3.45	3.50	3.55	3.60	3.65	3.70	3.75	--	
41	3.22	3.27	3.32	3.37	3.41	3.46	3.51	3.56	3.61	--	--	
42	3.14	3.19	3.24	3.29	3.33	3.38	3.43	3.48	--	--	--	
43	3.07	3.12	3.16	3.21	3.26	3.30	3.35	--	--	--	--	
44	3.00	3.05	3.09	3.14	3.18	3.23	--	--	--	--	--	

Non-Timing Stock Brushes

:: Gear Chart 64 Pitch

Pinion teeth (64 Pitch)	Spur Gear Teeth (64 Pitch)														
	102	103	104	105	106	107	108	109	110	111	112	113	114	115	
20	--	--	--	--	--	--	--	--	--	--	--	--	--	11.50	
21	--	--	--	--	--	--	--	--	--	--	--	--	10.86	10.95	
22	--	--	--	--	--	--	--	--	--	--	10.27	10.36	10.45		
23	--	--	--	--	--	--	--	--	--	--	9.83	9.91	10.00		
24	--	--	--	--	--	--	--	--	--	9.33	9.42	9.50	9.58		
25	--	--	--	--	--	--	--	--	8.88	8.96	9.04	9.12	9.20		
26	--	--	--	--	--	--	--	8.46	8.54	8.62	8.69	8.77	8.85		
27	--	--	--	--	--	--	8.07	8.15	8.22	8.30	8.37	8.44	8.52		
28	--	--	--	--	--	7.71	7.79	7.86	7.93	8.00	8.07	8.14	8.21		
29	--	--	--	--	7.38	7.45	7.52	7.59	7.66	7.72	7.79	7.86	7.93		
30	--	--	--	7.07	7.13	7.20	7.27	7.33	7.40	7.47	7.53	7.60	7.67		
31	--	--	6.77	6.84	6.90	6.97	7.03	7.10	7.16	7.23	7.29	7.35	7.42		
32	--	6.50	6.56	6.63	6.69	6.75	6.81	6.88	6.94	7.00	7.06	7.13	7.19		
33	--	6.24	6.30	6.36	6.42	6.48	6.55	6.61	6.67	6.73	6.79	6.85	6.91	6.97	
34	6.00	6.06	6.12	6.18	6.24	6.29	6.35	6.41	6.47	6.53	6.59	6.65	6.71	6.76	
35	5.83	5.89	5.94	6.00	6.06	6.11	6.17	6.23	6.29	6.34	6.40	6.46	6.51	6.57	
36	5.67	5.72	5.78	5.83	5.89	5.94	6.00	6.06	6.11	6.17	6.22	6.28	6.33	6.39	
37	5.51	5.57	5.62	5.68	5.73	5.78	5.84	5.89	5.95	6.00	6.05	6.11	6.16	6.22	
38	5.37	5.42	5.47	5.53	5.58	5.63	5.68	5.74	5.79	5.84	5.89	5.95	6.00	6.05	
39	5.23	5.28	5.33	5.38	5.44	5.49	5.54	5.59	5.64	5.69	5.74	5.79	5.85	5.90	

Advanced Timing Stock Brushes and Modified Brushes

Pinion teeth (64 Pitch)	Spur Gear Teeth (64 Pitch)														
	88	89	90	91	92	93	94	95	96	97	98	99	100	101	
47	3.74	3.79	3.83	3.87	3.91	3.96	4.00	4.04	4.09	4.13	4.17	4.21	4.26	4.30	
48	3.67	3.71	3.75	3.79	3.83	3.88	3.92	3.96	4.00	4.04	4.08	4.13	4.17	4.21	
49	3.59	3.63	3.67	3.71	3.76	3.80	3.84	3.88	3.92	3.96	4.00	4.04	4.08	4.12	
50	3.52	3.56	3.60	3.64	3.68	3.72	3.76	3.80	3.84	3.88	3.92	3.96	4.00	4.04	
51	3.45	3.49	3.53	3.57	3.61	3.65	3.69	3.73	3.76	3.80	3.84	3.88	3.92	3.96	
52	3.38	3.42	3.46	3.50	3.54	3.58	3.62	3.65	3.69	3.73	3.77	3.81	3.85	3.88	
53	3.32	3.36	3.40	3.43	3.47	3.51	3.55	3.58	3.62	3.66	3.70	3.74	3.77	3.81	
54	3.26	3.30	3.33	3.37	3.41	3.44	3.48	3.52	3.56	3.59	3.63	3.67	3.70	--	
55	3.20	3.24	3.27	3.31	3.35	3.38	3.42	3.45	3.49	3.53	3.56	3.60	--	--	
56	3.14	3.18	3.21	3.25	3.29	3.32	3.36	3.39	3.43	3.46	3.50	--	--	--	
57	3.09	3.12	3.16	3.19	3.23	3.26	3.30	3.33	3.37	3.40	--	--	--	--	
58	3.03	3.07	3.10	3.14	3.17	3.21	3.24	3.28	3.31	--	--	--	--	--	

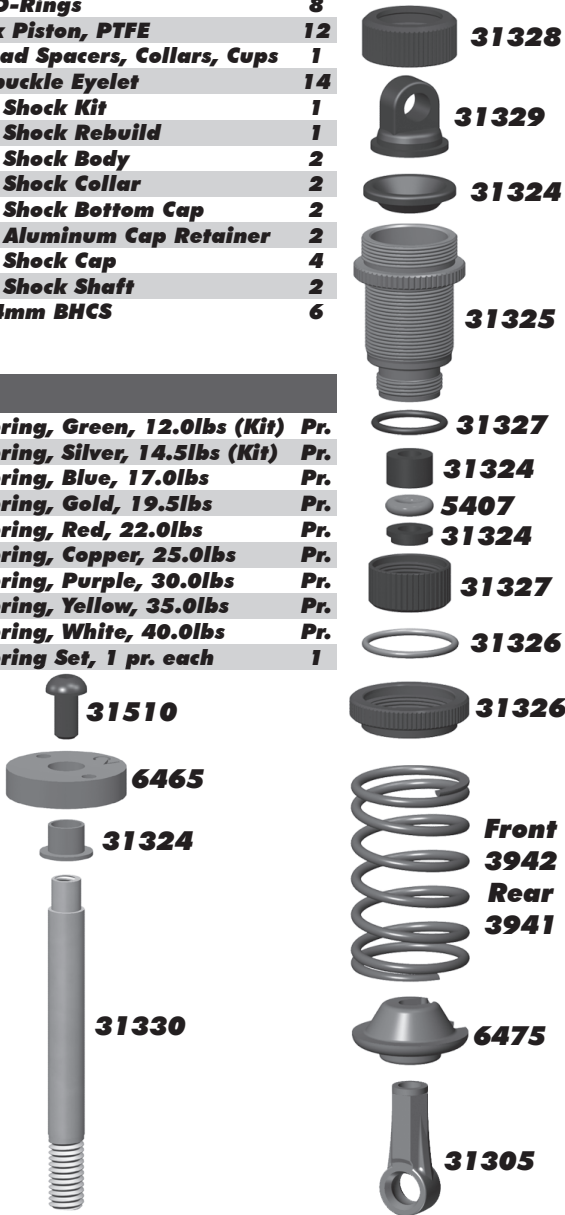
Non-Timing Stock Brushes

:: Shocks

5407	Red O-Rings	8
6465	Shock Piston, PTFE	12
6475	Preload Spacers, Collars, Cups	1
31305	Turnbuckle Eyelet	14
31323	VCS3 Shock Kit	1
31324	VCS3 Shock Rebuild	1
31325	VCS3 Shock Body	2
31326	VCS3 Shock Collar	2
31327	VCS3 Shock Bottom Cap	2
31328	VCS3 Aluminum Cap Retainer	2
31329	VCS3 Shock Cap	4
31330	VCS3 Shock Shaft	2
31510	M2x4mm BHCS	6

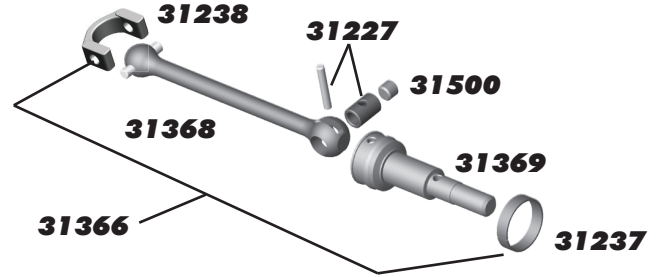
:: Springs

3941	TC Spring, Green, 12.0lbs (Kit)	Pr.
3942	TC Spring, Silver, 14.5lbs (Kit)	Pr.
3943	TC Spring, Blue, 17.0lbs	Pr.
3944	TC Spring, Gold, 19.5lbs	Pr.
3945	TC Spring, Red, 22.0lbs	Pr.
3946	TC Spring, Copper, 25.0lbs	Pr.
3952	TC Spring, Purple, 30.0lbs	Pr.
3953	TC Spring, Yellow, 35.0lbs	Pr.
3954	TC Spring, White, 40.0lbs	Pr.
3988	TC Spring Set, 1 pr. each	1



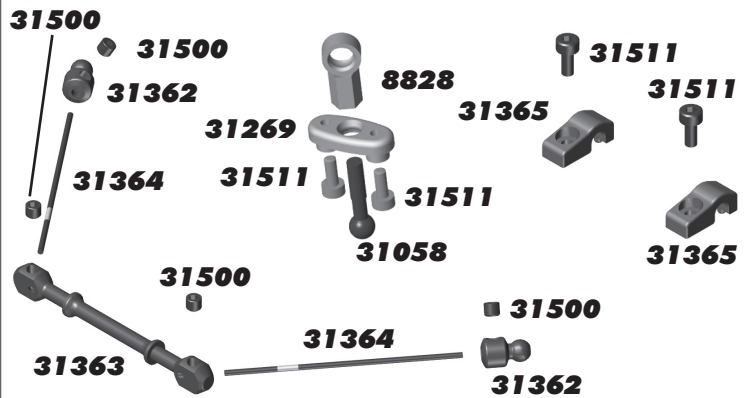
:: CVA's

31366	TC6.1 CVA Kit	1
31367	TC6.1 CVA Rebuild Kit	1
31368	TC6.1 CVA Bone	Pr.
31369	TC6.1 Stub Axle	Pr.
31237	CVA Pin Retaining Clip	2
31238	CVA Bone Blade	8
31500	M3x2.5mm Set Screw	6



:: Anti-Roll Bars

8828	Anti-Roll Bar Cups, Set	1
31058	Anti-Roll Bar Ballstud, blue aluminum	2
31362	TC6.1 Anti-Roll Bar Kit	1
31363	TC6.1 Anti-Roll Bar Tube	1
31364	TC6.1 Anti-Roll Bar Wire, Set	1
31365	TC6.1 Anti-Roll Bar Mounts	4
31500	M3x2.5mm Set Screw	6
31511	M2x5mm SHCS	6



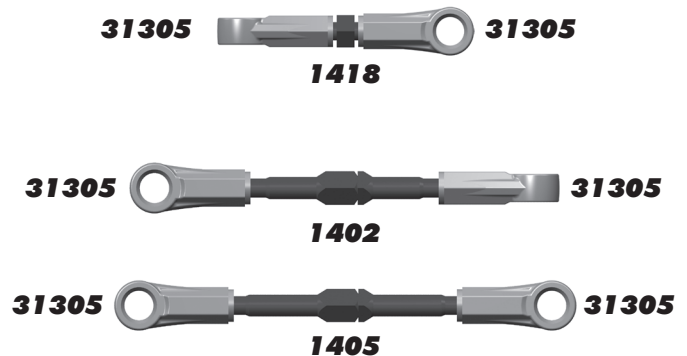
:: Shock Fluid

5420	10 Weight Silicone Shock Fluid	2oz.
5421	20 Weight Silicone Shock Fluid	2oz.
5422	30 Weight Silicone Shock Fluid	2oz.
5423	40 Weight Silicone Shock Fluid	2oz.
5424	22.5 Weight Silicone Shock Fluid	2oz.
5425	80 Weight Silicone Shock Fluid	2oz.
5426	27.5 Weight Silicone Shock Fluid	2oz.
5427	15 Weight Silicone Shock Fluid	2oz.
5428	25 Weight Silicone Shock Fluid	2oz.
5429	35 Weight Silicone Shock Fluid	2oz.
5430	45 Weight Silicone Shock Fluid	2oz.
5431	55 Weight Silicone Shock Fluid	2oz.
5432	32.5 Weight Silicone Shock Fluid	2oz.
5433	37.5 Weight Silicone Shock Fluid	2oz.
5434	42.5 Weight Silicone Shock Fluid	2oz.
5435	50 Weight Silicone Shock Fluid	2oz.
5436	60 Weight Silicone Shock Fluid	2oz.
5437	70 Weight Silicone Shock Fluid	2oz.
5438	47.5 Weight Silicone Shock Fluid	2oz.



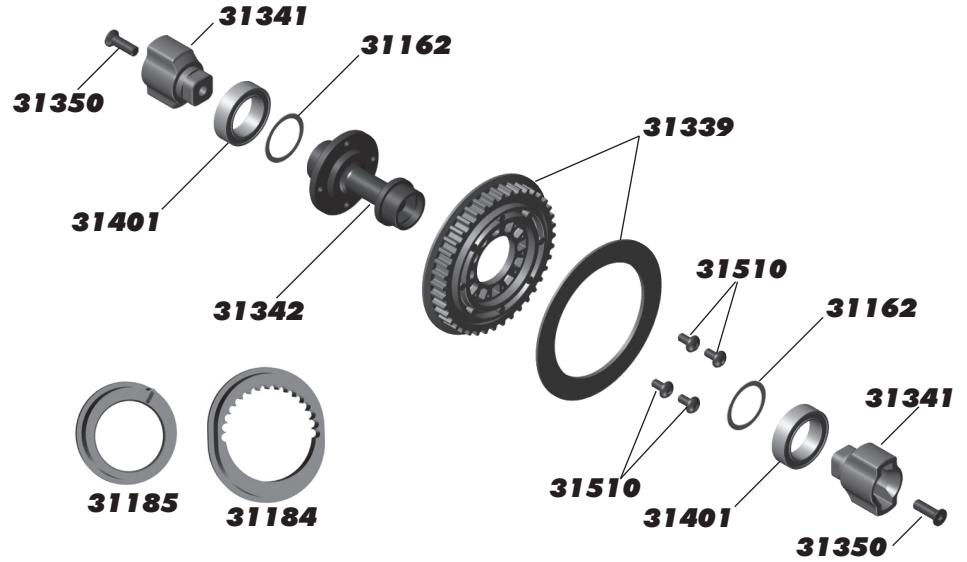
:: Turnbuckles

1402	FT Blue Titanium Turnbuckles 1.375"	Pr.
1405	FT Blue Titanium Turnbuckle 1.875"	Pr.
1418	FT Blue Titanium Turnbuckle 0.825"	Pr.
31305	Turnbuckle Eyelet	14



:: Front Spool

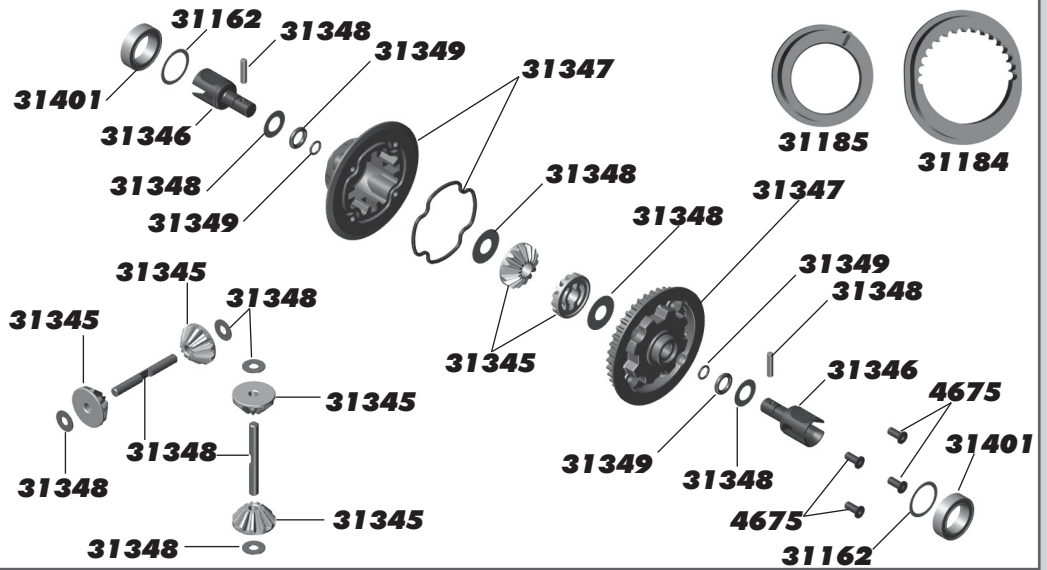
31162	Axle Shim Kit	1
31184	Cam Holder Set	1
31185	Diff Bearing Cam	2
31401	10 x 15mm Bearing	2
31339	TC6 Spool Kit	1
31341	TC6 Spool Outdrives	4
31342	TC6 Spool Hub	1
31350	M2.5x10mm FHCS	6
31351	M2x4mm BHCS	6



:: Rear Gear Differential

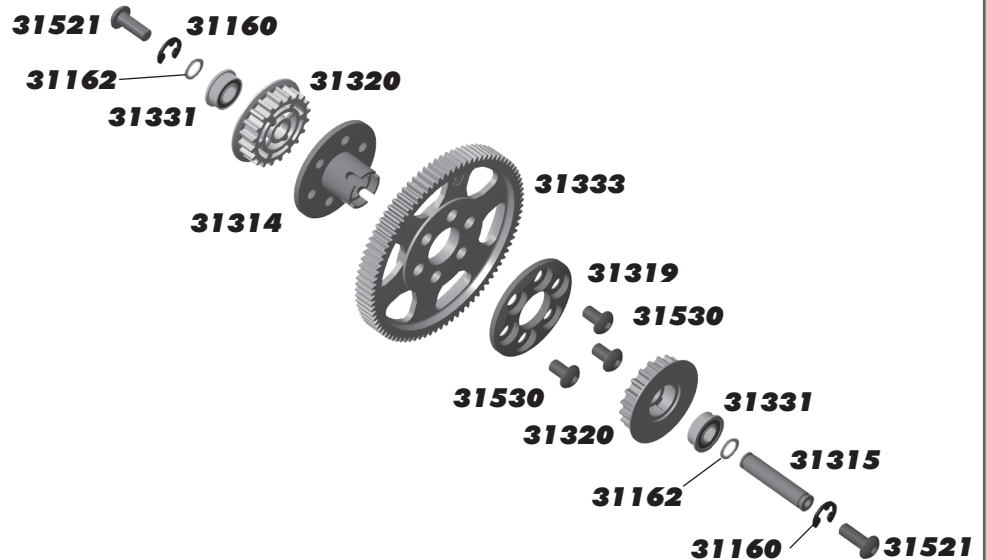
4675	M2.5 X .45 X 6 FHCS	6
31162	Axle Shim Kit	1
31184	Cam Holder Set	1
31185	Diff Bearing Cam	2
31401	10 x 15mm Bearing	2
31344	TC6 Gear Diff	1
31345	TC6 Gear Diff Rebuild	1
31346	TC6 Gear Diff Outdrives	2
31347	TC6 Gear Diff Case, O-Ring, Pulley	1
31348	TC6 Gear Diff Pins & Shims	1
31349	TC6 Gear Diff Seals	1

See page 30 for shock fluids for use with the TC6.1 gear differential.



:: Spur Gear Assembly

31160	3mm E-Clip	6
31162	Axle Shim Kit	1
31314	TC6 Spur Gear Hub	1
31315	TC6 Spur Gear Shaft	1
31319	TC6 Spur Clamping Ring	1
31320	TC6 Spur Pulley (20T)	2
31331	4x8x3mm Flanged Bearing	2
31333	TC6 Spur Gear (87T/48P)	1
31521	M2.5x0.5x8mm BHCS	6
31530	M3x0.5x5mm BHCS	6



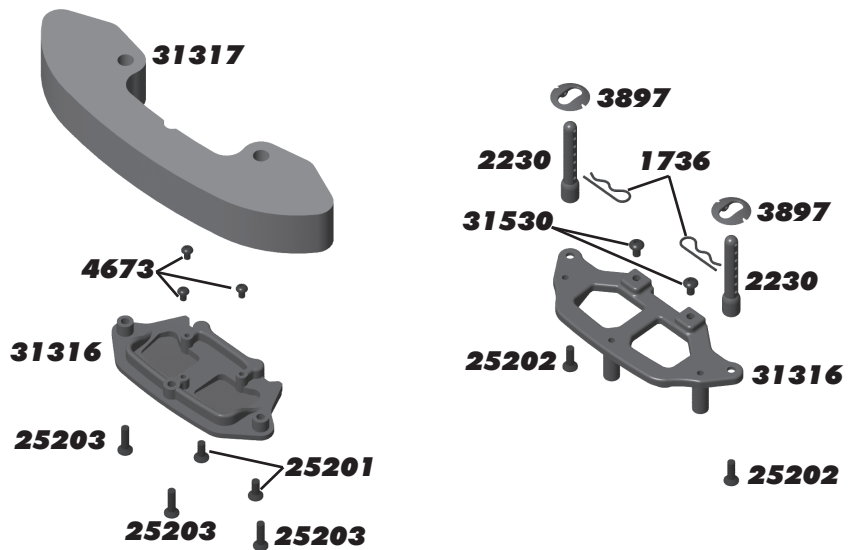
:: Steering Bellcrank and Servo Mounts

7336	Steering Servo Mount Kit	1
7337	.250" x.125" x.015" Washer	4
9180	Servo Horns, Molded	1
31246	Servo Mounts	Pr.
31280	5mm Ballstud, short	6
31286	Aluminum Ballstud Washers, Set	1
31306	TC6 Servo Saver Tube Assembly	1
31307	TC6 Steering Post	1
31308	TC6 Bellcrank Assembly	1
31403	4x7mm Bearing	2
31530	M3x5mm BHCS	6
31532	M3x8mm BHCS	6
31540	M3x5mm FHCS	6
89007	Steering Servo Horn (Ring)	1



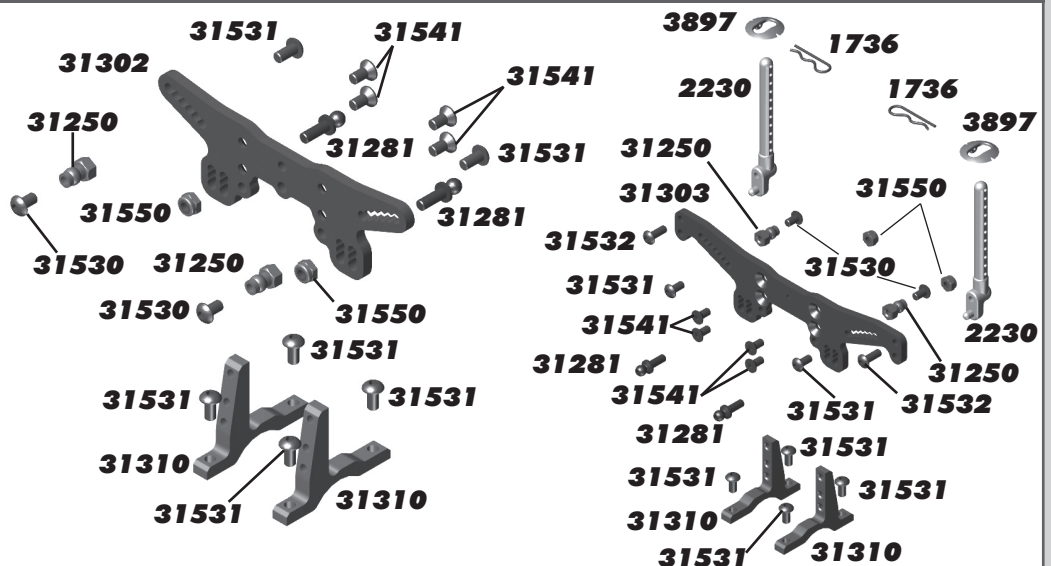
:: Front Bumper

1736	FT Body Clips, short	6
2230	F/R Body Mounts, Set	1
3897	Pivoting Body Mounts, Set	1
4673	M2.5x4mm BHCS	6
25201	M3x8mm FHCS	20
25202	M3x10mm FHCS	20
25203	M3x12mm FHCS	20
31316	TC6 Bumper and Brace	1
31317	TC6 Foam Bumper	1
31530	M3x5mm BHCS	6



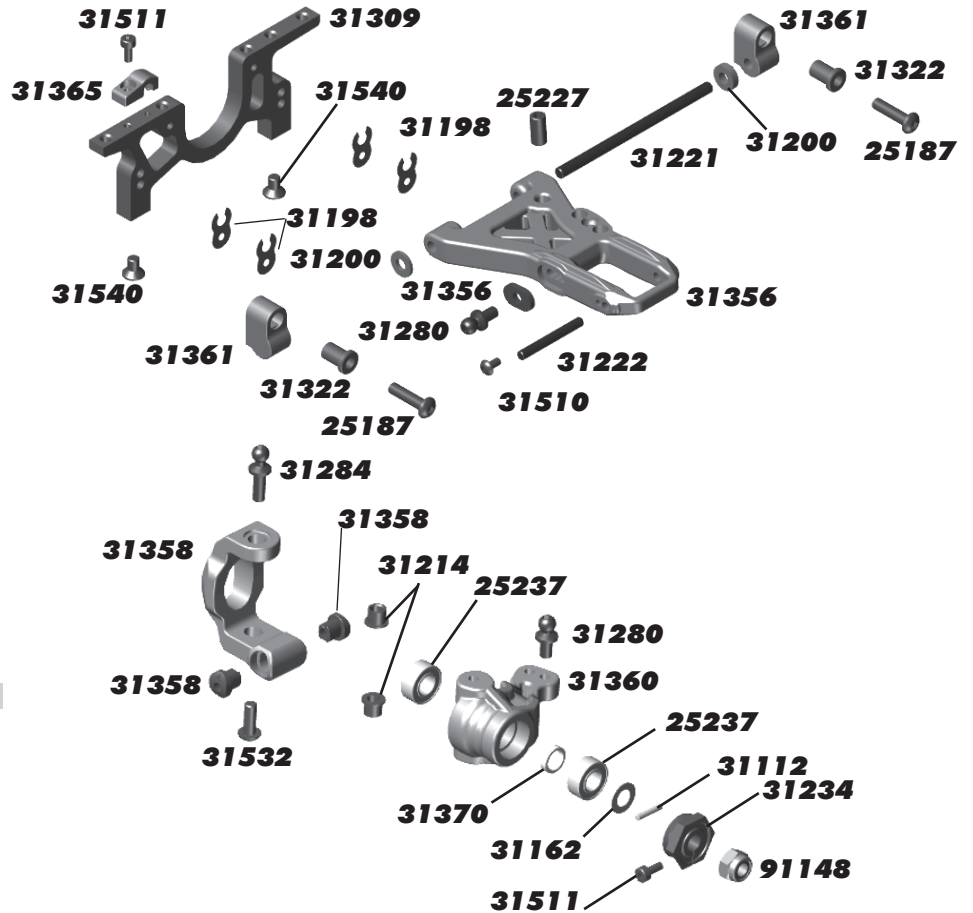
:: Front and Rear Shock Towers

1736	FT Body Clips, short	6
2230	F/R Body Mounts, Set	1
3897	Pivoting Body Mounts, Set	1
31250	Shock Bushing	4
31281	8mm Ballstud, short	6
31302	TC6 Shock Tower, Front	1
31303	TC6 Shock Tower, Rear	1
31310	TC6 Bearing Cap	1
31530	M3x5mm BHCS	6
31531	M3x6mm BHCS	6
31532	M3x8mm BHCS	6
31541	M3x6mm FHCS	6
31550	M3 Aluminum Locknut	6



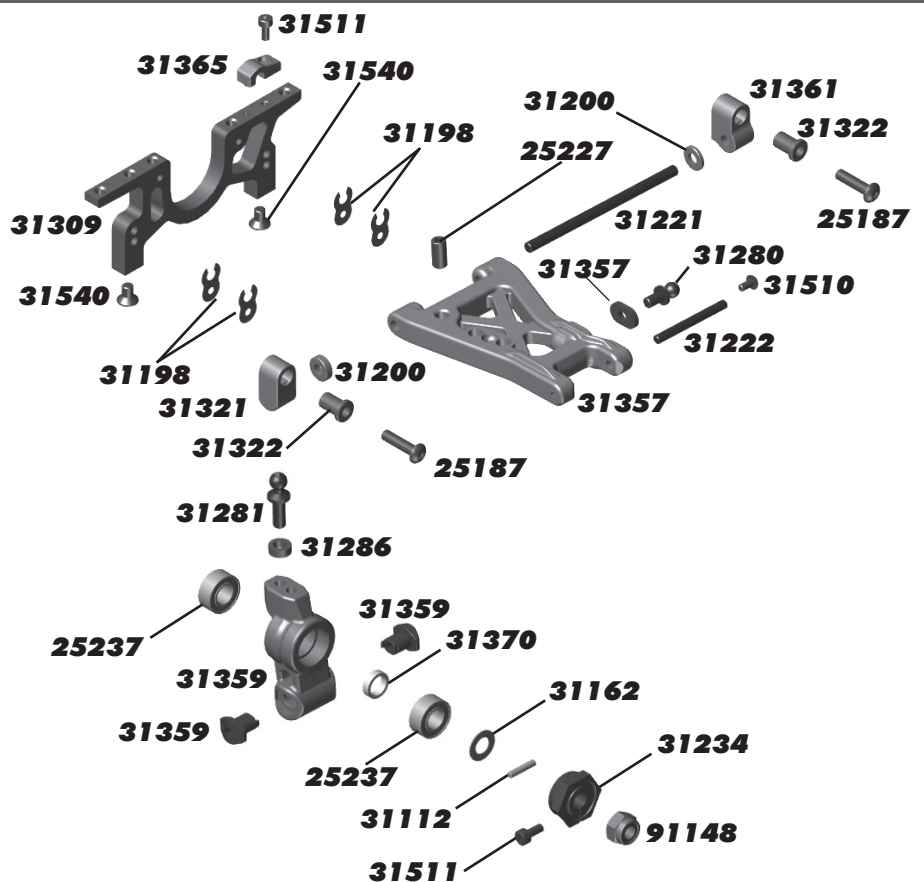
:: Front Bulkhead

25187	M3x14mm BHCS	20
25227	M4x8mm Setscrew	20
25237	5x10mm Bearing	2
31112	1/16" x 5/16" Dowel Pins	8
31162	Axle Shim Kit	1
31198	Arm Mount Shim Set	1
31200	Wheelbase Shim Set	1
31214	Caster Block Bushing	Pr.
31221	Inner Hinge Pin Set	1
31222	Outer Hinge Pin Set	1
31234	Clamping Wheel Hex	4
31280	5mm Ballstud, short	6
31284	8mm Ballstud, long	6
31286	Aluminum Ballstud Washers, Set	1
31309	TC6 Bulkhead	1
31321	TC6 Arm Mount Set	1
31322	TC6 Arm Mount Bushing	8
31356	TC6.1 Front Arms	Pr.
31358	TC6.1 Caster Blocks	Pr.
31360	TC6.1 Steering Blocks	Pr.
31361	TC6.1 Offset Arm Mounts, Set	1
31365	TC6.1 Anti Roll Bar Mounts, Set	1
31370	TC6.1 Axle Crush Tubes	4
31510	M2x4mm BHCS	6
31511	M2x5mm SHCS	6
31532	M3x8mm BHCS	6
31540	M3x5mm FHCS	6
91148	M4 Locknut	8



:: Rear Bulkhead

25187	M3x14mm BHCS	20
25227	M4x8mm Setscrew	20
31112	1/16" x 5/16" Dowel Pins	8
31162	Axle Shim Kit	1
31198	Arm Mount Shim Set	1
31200	Wheelbase Shim Set	1
31221	Inner Hinge Pin Set	1
31222	Outer Hinge Pin Set	1
31234	Clamping Wheel Hex	4
31280	5mm Ballstud, short	6
31284	8mm Ballstud, long	6
31286	Aluminum Ballstud Washers, Set	1
31309	TC6 Bulkhead	1
31321	TC6 Arm Mount Set	1
31322	TC6 Arm Mount Bushing	8
31357	TC6.1 Rear Arms	Pr.
31359	TC6.1 Rear Hub Carrier	Pr.
31361	TC6.1 Offset Arm Mounts, Set	1
31365	TC6.1 Anti Roll Bar Mounts, Set	1
31370	TC6.1 Axle Crush Tubes	4
31404	6x10mm Bearing	2
31510	M2x4mm BHCS	6
31511	M2x5mm SHCS	6
31540	M3x5mm FHCS	6
91148	M4 Locknut	8



:: Factory Team and Option Parts

1401	FT Blue Titanium Turnbuckle 1.300"	2
1404	FT Blue Titanium Turnbuckle 1.775"	2
1734	FT Blue Body Clip, 4 long, 6 short	10
1735	FT Blue Body Clip, long	4
1736	FT Blue Body Clip, short	6
3927	Radial Heatsink, narrow	1
3928	Radial Heatsink, wide	1
3991	TC Aero Dish Wheel 24mm	4
4617	12R5 Front Bulkhead Shims (x4 0.5mm, x4 1.0mm, x4 2.0mm)	12
25391	FT 4mm Locknuts, blue	10
31280	5mm Ballstud, short	6
31281	8mm Ballstud, short	6
31282	10mm Ballstud, short	6
31283	5mm Ballstud, long	6
31284	8mm Ballstud, long	6
31285	10mm Ballstud, long	6
31286	Aluminum Ballstud Washer, Set	1
31288	Ti Nitride Ballstuds M3x5mm, short	2
31289	Ti Nitride Ballstuds M3x8mm, short	2
31290	Ti Nitride Ballstuds M3x10mm, short	2
31291	Ti Nitride Ballstuds M3x5mm, long	2
31292	Ti Nitride Ballstuds M3x8mm, long	2
31293	Ti Nitride Ballstuds M3x10mm, long	2
31296	TC6 Ballast Weight	1
31339	TC6 Spool Kit	1
31344	TC6 Gear Differential Kit	1
31351	FT TC6 Aluminum Screw Kit	1
31550	M3 Aluminum Lock Nut	6
31551	M4 Aluminum Flange Lock Nut	6

:: XP Electronics

29125	S1903MG Servo	1
29126	S2008MG Servo	1
29140	XP SC200 Brushed ESC	1
29143	XP SC700-BL Brushless ESC	1
29166	XP DS1313 Digital Servo	1
29167	XP DS1015 Digital Servo	1
29209	Gear Set, DS1313	1
29210	Gear Set, DS1015	1
29211	Servo Case, DS1313/DS1015	1
29212	Accessory Pack, DS1313/DS1015	1
29221	XP3SS 2.4GHz Radio System	1
29222	TRS401SS 2.4GHz 4Ch Receiver	1

:: Reedy Motors and ESC's

916	540R Brushless Motor 3300kV	1
917	540R Brushless Motor 3900kV	1
918	540R Brushless Motor 4900kV	1
919	540R Brushless Motor 6100kV	1
936	XP SC450-BL/Reedy 540R 3300kV Combo	1
937	XP SC450-BL/Reedy 540R 3900kV Combo	1
938	XP SC450-BL/Reedy 540R 4900kV Combo	1
939	XP SC450-BL/Reedy 540R 6100kV Combo	1
940	Reedy Sonic 21.5 Stock (sensored)	1
941	Reedy Sonic 17.5 Stock (sensored)	1
942	Reedy Sonic 13.5 Stock (sensored)	1
943	Reedy Sonic 10.5 Modified (sensored)	1
944	Reedy Sonic 9.5 Modified (sensored)	1
945	Reedy Sonic 8.5 Modified (sensored)	1
946	Reedy Sonic 7.5 Modified (sensored)	1
947	Reedy Sonic 6.5 Modified (sensored)	1
948	Reedy Sonic 5.5 Modified (sensored)	1
949	Reedy Sonic 5.0 Modified (sensored)	1
950	Reedy Sonic 4.5 Modified (sensored)	1
951	Reedy Sonic 4.0 Modified (sensored)	1
952	Reedy Sonic 3.5 Modified (sensored)	1
965	XP SC700-BL/Reedy 540-SL 3300kV Combo	1
966	XP SC700-BL/Reedy 540-SL 3900kV Combo	1
967	XP SC700-BL/Reedy 540-SL 4900kV Combo	1
9626	Reedy Radon 30000 rpm	1

:: Reedy Batteries and Chargers

302	AA Alkaline 1.5V (4)	1
303	AA 2700mAh NiMH 1.2V Rechargeable (4)	1
601	LiPo 65C 6500mAh 7.4V	1
604	Reedy 526-S AC/DC 2S-6S Cell LiPo/LiFe Charger	1
609	Tamiya to DEANS® Plug Adaptor	1
610	Reedy Charger NiCD/NiMH	1
627	LiPo 60C 5200mAh 7.4V SP	1
628	LiPo 60C 5500mAh 7.4V	1
629	LiPo 60C 5500mAh 3.7V	1
632	TX Lightweight Battery 1350mAh 11.1V	1
633	TX Battery - 3PK, M11 3000mAh 11.1V	1
634	TX Battery - Helios, Z1 2400mAh 11.1V	1
637	TX Battery - M11X 2500mAh 7.4V	1
681	Wolfpack 2400mAh 7.2V w/DEANS® connector	1
682	Wolfpack 3000mAh 7.2V w/DEANS® connector	1
683	Wolfpack 3600mAh 7.2V w/DEANS® connector	1
684	Wolfpack 4200mAh 7.2V w/DEANS® connector	1
686	LiPo 40C+ 4200mAh 7.4V SP	1
689	R-Power 1700mAh 7.2V w/TAM connector	1
693	Wolfpack 2400mAh 7.2V w/TAM connector	1
694	Wolfpack 3000mAh 7.2V w/TAM connector	1
695	Wolfpack 3600mAh 7.2V w/TAM connector	1
696	Wolfpack 2400mAh 7.2V w/TRA connector	1
700	Wolfpack 4200mAh 7.2V w/TAM connector	1
709	LiPo 5000mAh 7.4V 35C ROAR Spec	1
710	LiPo 5100mAh 7.4V 35C SP ROAR Spec	1
712	LiPo 4200mAh 7.4V 35C SP EFRA Spec	1
713	LiPo 2400mAh 7.4V 20C Stick	1
714	LiPo 3400mAh 7.4V 25C Stick	1
723	LiFe 4000mAh 6.6V 30C	1
730	Wolfpack LiPo 3000mAh 7.4V 35C w/DEANS®	1
731	Wolfpack LiPo 3300mAh 7.4V 35C w/DEANS®	1
732	Wolfpack LiPo 3400mAh 7.4V 35C w/DEANS®	1
734	Wolfpack LiPo 6500mAh 7.4V 25C w/DEANS®	1
735	Wolfpack LiPo 3900mAh 11.1V 35C w/DEANS®	1

:: Reedy Accessories

605	Motor Cooling Fans (2)	1
654	4.0mm plugs (2M, 2F)	1
655	4.0mm plugs (2M, 10F)	1
656	4.0mm plugs (10F)	1
657	4.0mm plugs (100F)	1
658	4.0mm plugs (10M)	1
659	4.0mm plugs (30M)	1
660	3.5mm plugs (3M, 3F)	1
661	3.5mm plugs (10F)	1
662	3.5mm plugs (100F)	1
663	3.5mm plugs (10M)	1
664	3.5mm plugs (30M)	1
716	Reedy 09 Decal Set	1
954	Sonic Stock Rotor 12.3 x 24.2 (7.25)	1
955	Sonic Stock Rotor 12.3 x 25.0 (7.25)	1
956	Sonic Stock Rotor 12.5 x 25.0 (7.25)	1
957	Sonic Modified Rotor 12.2 x 25.0 (5.0)	1
958	Sonic Modified Rotor 12.5 x 25.0 (5.0)	1
SP35**	Reedy Logo T-Shirt - White (M, L, XL, XXL, XXXL)	1
SP36**	Reedy Logo T-Shirt - Black (M, L, XL, XXL, XXXL)	1
SP417	Factory Team 1/10 Motor Storage Bag	1
SP418	Factory Team 1/10 Car Carrier Bag	1

** Use part number plus the desired size when ordering!

:: LRP Speed Controls

LRP80705	SPX Zero	1
LRP80905	SXX Comp v.2 Speed Control	1
LRP80915	SXX Stock-Spec v.2	1
LRP80955	SXX TC-Spec v.2 Speed Control	1

:: LRP Brushless Motors

LRP50430	Vector K4 6.5 Turn	1
LRP50440	Vector K4 8.5 Turn	1
LRP50450	Vector K4 10.5 Turn	1
LRP50460	Vector K4 13.5 Turn	1
LRP50480	Vector K4 17.5 Turn	1
LRP50642	Vector X-12 9.5 Turn	1
LRP50652	Vector X-12 8.5 Turn	1
LRP50653	Vector X-12 OCTA Wind 8.5 Turn	1
LRP50662	Vector X-12 7.5 Turn	1
LRP50672	Vector X-12 6.5 Turn	1
LRP50673	Vector X-12 OCTA Wind 6.5 Turn	1
LRP50682	Vector X-12 5.5 Turn	1
LRP50683	Vector X-12 OCTA Wind 5.5 Turn	1
LRP50687	Vector X-12 5.0 Turn	1
LRP50688	Vector X-12 OCTA Wind 5.0 Turn	1
LRP50691	Vector X-11 4.5 Turn	1
LRP50692	Vector X-12 4.5 Turn	1
LRP50693	Vector X-12 OCTA Wind 4.5 Turn	1
LRP50701	Vector X-11 4.0 Turn	1
LRP50702	Vector X-12 4.0 Turn	1
LRP50712	Vector X-12 3.5 Turn	1
LRP50722	Vector X-12 3.0 Turn	1
LRP50832	Vector X-12 Stockspec 10.5 Turn	1
LRP50842	Vector X-12 Stockspec 13.5 Turn	1
LRP50852	Vector X-12 Stockspec 17.5 Turn	1
LRP50862	Vector X-12 Stockspec 21.5 Turn	1

:: LRP Misc.

LRP50620	X-12 Replacement Ball Bearings	1
LRP50621	X-12 Optional Ceramic Ball Bearings	1
LRP50622	X-12 Small Parts Set	1
LRP50623	X-12 PreciSensor Unit	1
LRP50624	X-12 Replacement Aluminum Front Can	1
LRP50625	X-12 Lightweight Aluminum Can	1
LRP50626	X-12 Alum Rear Cover	1
LRP50632	X-12 12.0mm Sintered Rotor	1
LRP50633	X-12 12.5mm Sintered Rotor	1
LRP50634	X-12 13.0mm Sintered Rotor	1
LRP50635	X-12 Stock Spec Rotor 12.45mm	1
LRP50636	Works Team X-12 12.0mm Rotor	1
LRP50637	Works Team X-12 12.5mm Rotor	1
LRP50638	Works Team X-12 13.0mm Rotor	1
LRP50639	X-12 Stock Spec 1S LiPo Rotor	1
LRP64790	LRP Motor Bearing Puller	1
LRP80135	BEC Stabilizing Capacitor	1
LRP819307	70mm High Flex Sensor Wire	1
LRP819310	100mm High Flex Sensor Wire	1
LRP819315	150mm High Flex Sensor Wire	1
LRP819320	200mm High Flex Sensor Wire	1
LRP82512	SXX Low Profile Fan	1
LRP82520	Brushless/Brushed Cooling Set	1
LRP82521	Gun Metal Cooling Set	1
LRP82530	SXX Power Cap 3.7-4.8V	1
LRP82531	SXX Power Cap 6.0-7.4V	1

:: LRP Brushless Combos

LRP80673	SXX SS / 10.5T SS	1
LRP80674	SXX SS / 13.5T SS	1
LRP80675	SXX SS / 17.5T SS	1
LRP80677	SXX SS v.2 / 10.5T SS	1
LRP80678	SXX SS v.2 / 13.5T SS	1
LRP80679	SXX SS v.2 / 17.5T SS	1
LRP80680	SXX SS v.2 / 21.5T SS	1
LRP80694	SXX Comp v.2 / X-12 5.0T	1
LRP80695	SXX Comp v.2 / X-12 5.5T	1
LRP80696	SXX Comp v.2 / X-12 6.5T	1
LRP80697	SXX Comp v.2 / X-12 7.5T	1
LRP80698	SXX Comp v.2 / X-12 8.5T	1
LRP80699	SXX Comp v.2 / X-12 9.5T	1
LRP80790	SXX TC v.2 / X-12 3.0T	1
LRP80791	SXX TC v.2 / X-12 3.5T	1
LRP80792	SXX TC v.2 / X-12 4.0T	1
LRP80793	SXX TC v.2 / X-12 4.5T	1
LRP80794	SXX TC v.2 / X-12 5.0T	1
LRP80795	SXX TC v.2 / X-12 5.5T	1
LRP80796	SXX TC v.2 / X-12 6.5T	1
LRP80797	SXX TC v.2 / X-12 7.5T	1
LRP80798	SXX TC v.2 / X-12 8.5T	1
LRP80799	SXX TC v.2 / X-12 9.5T	1
29225	Sonic 9.5T / SXX Comp v.2	1
29226	Sonic 8.5T / SXX Comp v.2	1
29227	Sonic 7.5T / SXX Comp v.2	1
29228	Sonic 6.5T / SXX Comp v.2	1
29229	Sonic 5.5T / SXX Comp v.2	1
29230	Sonic 5.0T / SXX Comp v.2	1
29231	Sonic 4.5T / SXX Comp v.2	1
29234	Sonic 21.5T / SXX SS v.2	1
29235	Sonic 17.5T / SXX SS v.2	1
29236	Sonic 13.5T / SXX SS v.2	1
29237	Sonic 10.5T / SXX SS v.2	1
29238	Sonic 9.5T / SXX TC v.2	1
29239	Sonic 8.5T / SXX TC v.2	1
29240	Sonic 7.5T / SXX TC v.2	1
29241	Sonic 6.5T / SXX TC v.2	1
29242	Sonic 5.5T / SXX TC v.2	1
29243	Sonic 5.0T / SXX TC v.2	1
29244	Sonic 4.5T / SXX TC v.2	1
29245	Sonic 4.0T / SXX TC v.2	1
29246	Sonic 3.5T / SXX TC v.2	1

:: LRP Charger, Power Supply, Balancer, Iron

LRP41281	Quadra Pro 2 Charger	1
LRP41552	Pulsar Competition 3 Charger	1
LRP41555	Pulsar Touch Charger	1
LRP42103	LiPo Balance Board XH	1
LRP42104	LiPo Balance Board FP/TP	1
LRP42105	LiPo Balance Board PQ	1
LRP42305	Temp. Sensor for Pulsar Touch	1
LRP42306	Sensor Wire Splitter	1
LRP43150	Power Supply Competition	1
LRP45200	LiPo Parallel Balancer	1
LRP65800	High Power Solder Station	1
LRP65802	Soldering Tip 5mm	1
LRP65803	Soldering Tip 1.2mm	1
LRP65804	Soldering Handle	1
LRP81800	LRP Speedo Updater	1

:: 1/18 Kits and RTR's

20100	RC18T RTR (ready-to-run)	1
20101	RC18T2 2.4ghz RTR (ready-to-run)	1
20103	RC18B2 - RC18T2 Team Kit	1
20104	RC18T2 Brushless RTR (ready-to-run)	1
20105	RC18B RTR (ready-to-run)	1
20106	RC18B2 2.4ghz RTR (ready-to-run)	1
20108	RC18B2 Brushless RTR (ready-to-run)	1
20110	RC18MT RTR (ready-to-run)	1
20115	RC18R Kamino RTR (ready-to-run)	1
20118	RC18R Niteline RTR (ready-to-run)	1
20121	SC18 Brushless RTR (ready-to-run)	1
20130	RC18LM RTR (ready-to-run)	1

:: 1/12, 1/10 Kits and RTR's

2023	FT Nitro TC3 Kit	1
2042	Nitro TC3 RTR Plus (ready-to-run)	1
4019	FT 12R5.1 Kit	1
7020	RC10T4 Team Truck Kit	1
7023	RC10T4.1 FT Kit	1
7027	SC10 2WD Short Course Race Truck Kit	1
7029	SC10 Associated/RC10.com Truck RTR (ready-to-run)	1
7030	SC10 KMC Wheels Race Truck RTR (ready-to-run)	1
7032	SC10 Ready Lift RTR (ready-to-run)	1
7034	SC10 FT Kit	1
7036	RC10T4.1 RTR 2.4GHz Brushed (ready-to-run)	1
7037	RC10T4.1 RTR 2.4GHz Brushless (ready-to-run)	1
7046	SC10 RS RTR, 2.4ghz Brushless Lucas Oil Body	1
7047	SC10 RS RTR, 2.4ghz Brushless Monster Energy Body	1
7048	SC10 RS RTR, 2.4ghz Brushless Pro Comp Body	1
7049	SC10 RTR, 2.4ghz Brushless Rockstar/Makita Body	1
7080	FT GT2 Nitro Truck Kit	1
7092	GT2 RS Truck Nitro RTR (ready-to-run)	1
8020	FT RC10R5 Kit	1
8021	FT RC10R5-OVAL Kit	1
9034	RC10B4 Buggy Team Kit	1
9036	RC10B4.1 FT Kit	1
9039	RC10B4.1 RTR 2.4GHz Brushless (ready-to-run)	1
9060	FT B44 4WD Buggy Kit	1
9061	FT B44.1 4WD Buggy Kit	1
20515	MGT 3.0 Nitro Monster Truck RTR (ready-to-run)	1
30105	FT TC5R Rubber Tire Edition 4WD Touring Car Kit	1
30106	FT TC6 4WD Touring Car Kit	1
30111	TC4 4WD Touring Car RTR (ready-to-run)	1
90004	SC10 4x4 Kit	1
90005	SC10 4x4 Lucas Oil RTR (ready-to-run)	1
90006	SC10 4x4 Pro Comp RTR (ready-to-run)	1
90007	SC10 4x4 Rockstar/Makita RTR (ready-to-run)	1

:: 1/8 Kits and RTR's

20503	Limited Edition MGT 4.60 Nitro RTR, w/flag body (ready-to-run)	1
20504	Limited Edition MGT 8.0 Nitro RTR, w/flag body (ready-to-run)	1
80904	FT RC8Be Electric Buggy Kit	1
80905	RC8RS "Race Spec" Nitro Buggy RTR (ready-to-run)	1
80906	RC8.2 FT Nitro Buggy Kit	1
80907	RC8.2e FT Electric Buggy Kit	1
80912	RC8T Championship Edition	1
80922	SC8 Short Course Race Truck, KMC Wheels Nitro RTR (ready-to-run)	1
80923	SC8 Short Course Race Truck, Bully Dog Nitro RTR (ready-to-run)	1
80924	SC8 Short Course Race Truck, AE Team Nitro RTR (ready-to-run)	1
80925	SC8 Short Course Race Truck, Pro Comp Nitro RTR (ready-to-run)	1
80932	SC8e Short Course Race Truck Rockstar/Makita RTR (ready-to-run)	1

:: Tools

1111	FT Turnbuckle Wrench	1
1450	FT Ride Height Gauge	1
1541	FT Hex Driver Set, (7 pcs)	1
1542	FT .050" Silver Hex Driver	1
1543	FT 1/16" Black Hex Driver	1
1544	FT 1.5mm Purple Hex Driver	1
1545	FT 5/64" Blue Hex Driver	1
1546	FT 3/32" Gold Hex Driver	1
1547	FT 2.5mm Green Hex Driver	1
1548	FT 3mm Red Hex Driver	1
1551	FT Screwdriver Set	1
1553	FT Phillips Silver Screwdriver	1
1554	FT Silver Spring Hook Tool	1
1561	FT Nut Driver Set, (6 pcs)	1
1562	FT 3/16" Black Nut Driver	1
1563	FT 1/4" Red Nut Driver	1
1564	FT 5.5mm Red Nut Driver	1
1565	FT 11/32" Green Nut Driver	1
1566	FT 7.0mm Silver Nut Driver	1
1567	FT 8mm Gold Nut Driver	1
1589	FT 5/64" Blue Ball Hex Driver	1
1590	FT 3/32" Gold Ball Hex Driver	1
1592	FT Ball Hex Driver Set, (3 pcs)	1
1655	FT 8-Piece 1/4" Hex Drive Set	1
1656	FT 1/4" Hex Drive Handle, without tips	1
1657	FT 1/4" Hex Drive .050" Tip	1
1658	FT 1/4" Hex Drive 1/16" Tip	1
1659	FT 1/4" Hex Drive 5/64" - 2.0mm Tip	1
1660	FT 1/4" Hex Drive 3/32" Tip	1
1661	FT 1/4" Hex Drive 1.5mm Tip	1
1662	FT 1/4" Hex Drive 2.5mm Tip	1
1663	FT 1/4" Hex Drive 3/16" Nut Driver Tip	1
1664	FT 1/4" Hex Drive 1/4" Nut Driver Tip	1
1665	FT 1/4" Hex Drive 11/32" Nut Driver Tip	1
1666	FT 1/4" Hex Drive 5.5mm Nut Driver Tip	1
1667	FT 1/4" Hex Drive 7.0mm Nut Driver Tip	1
1668	FT 1/4" Hex Drive 8.0mm Nut Driver Tip	1
1669	FT 1/4" Hex Drive 5/64" - 2.0mm Ball End Tip	1
1670	FT 1/4" Hex Drive 3/32" Ball End Tip	1
1671	FT 1/4" Hex Drive Standard Screwdriver Tip	1
1672	FT 1/4" Hex Drive Phillips Screwdriver Tip	1
1673	FT 1/4" Hex Drive 2.5mm Ball End Tip	1
1674	FT 1/4" 5 Piece Power Tool Tips Set (5/64-2.0mm, 1.5mm, 2.5mm, 5/64"- 2.0mm ball, 2.5mm ball)	1
1719	FT Camber + Track Width Tool	1
1737	FT Body Scissors	1
3718	12 Inch Nylon Wire Ties	12
3719	6 Inch Nylon Wire Ties	12
3720	8 Inch Nylon Wire Ties	12
3987	FT Droop Gauge	1
6429	Shock Building Tool	1
6956	Molded Tools, Set	1
7709	4 Inch Nylon Wire Ties	12

:: Apparel

SP35**	Reedy 09' White T-Shirt (M, L, XL, XXL, XXXL)	1
SP36**	Reedy 09' Black T-Shirt (M, L, XL, XXL, XXXL)	1
SP62**	AE Vertigo Long Sleeve T-Shirt (S, M, L, XL, XXL)	1
SP63**	AE Vertigo White T-Shirt (S, M, L, XL, XXL)	1
SP64**	AE Vertigo Blue T-Shirt (S, M, L, XL, XXL)	1
SP65**	AE Vertigo Black T-Shirt (S, M, L, XL, XXL)	1
SP66**	AE Stencil Blue T-Shirt (S, M, L, XL, XXL, XXXL)	1
SP67**	AE Stencil Sweatshirt (S, M, L, XL, XXL, XXXL)	1
SP69**	26-Time Champ T-Shirt (S, M, L, XL, XXL, XXXL)	1
SP411**	AE Hat '11, Flatbill Black (S-M, L-XL)	1
SP416	1/10 Car Carrier Bag Only	1
SP417	1/10 FT Motor Bag	1
SP418	1/10 FT Car Carrier Bag with Boxes, Set	1
SP420**	AE Pit Gloves (M, L, XL)	Pr.
715	Reedy 2009 Track Banner	1
110684	Team Associated Track Banner	1

**** Use part number plus the desired size when ordering!**

:: Contact Information

Associated Electrics, Inc.
26021 Commercentre Drive
Lake Forest, CA 92630-8853 USA
<http://www.TeamAssociated.com>
<http://www.RC10.com>
[http://twitter/Team Associated](http://twitter/TeamAssociated)
<http://bit.ly/AEonFacebook>

call: (949) 544-7500

fax: (949) 544-7501

**Check out the following web sites for all
of our electric kits, current products, new
releases, setup help, tips, and racing info!**

www.TeamAssociated.com - www.RC10.com

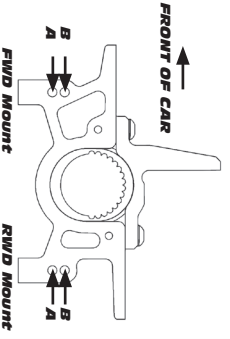
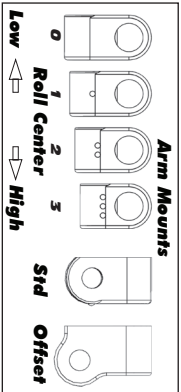
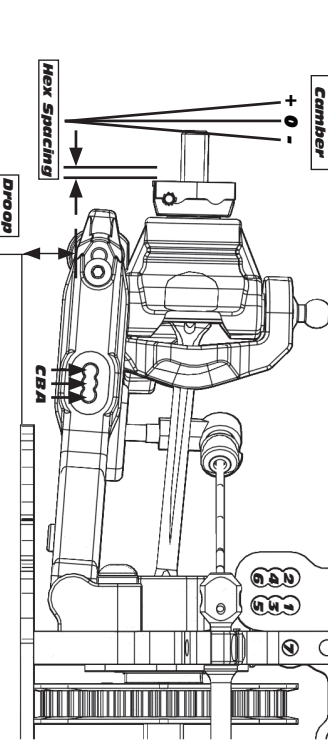
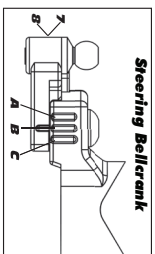
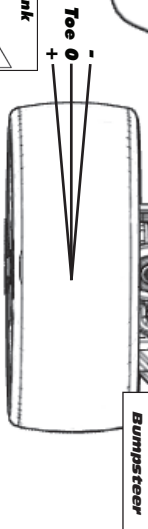
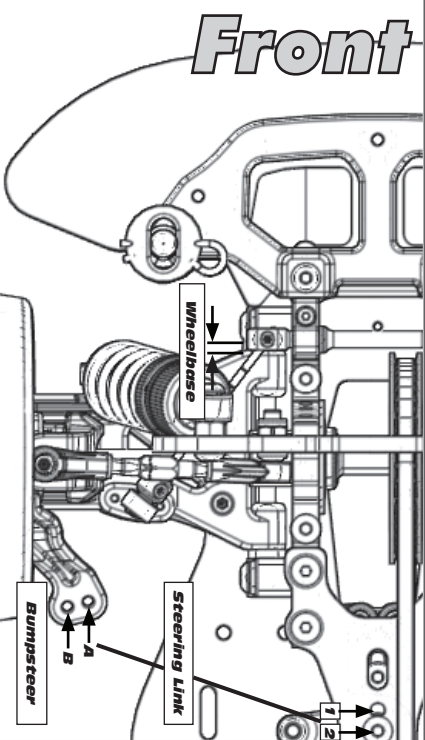
:: Notes

Drivers _____
Tracks _____

Conditions: _____

Event: _____

Date: _____



Front	Alignment	Rear
5mm	Ride Height	5mm
-2 deg	Camber	-1.5 deg
4 deg	Caster	N/A
N/A	Rear Hub Toe	0 deg
+ 0.5 deg	Toe (Total)	-2.5 deg
0	Hex Spacing	0
1mm	Wheelbase	1mm
7B	Steering Bellcrank	N/A
2B	Steering Link	N/A
Black	Bumpsteer	N/A

Notes:

Suspension Geometry

3C	Shock Position	3C
3	Camber Link Position	3A
Silver	Outer Ball & Shims	Silver + 2mm
0B - Offset	FWD Arm Mount	0B
0 deg	FWD Mount Shim	0 deg
0B - Offset	RWD Arm Mount	0B - Offset
0 deg	RWD Mount Shims	0 deg
6	Droop	5
1.1mm	Anti-Roll Bar	0.9mm

Notes:

Shocks

40wt	Oil	40wt
#2	Piston	#2
50%	Rebound	50%
Silver	Spring	Silver

Notes:

Differentials

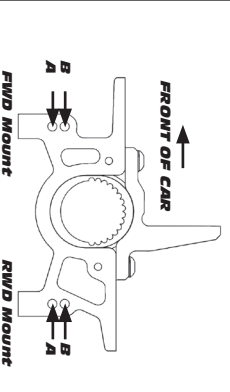
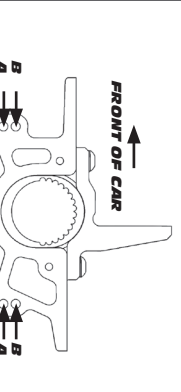
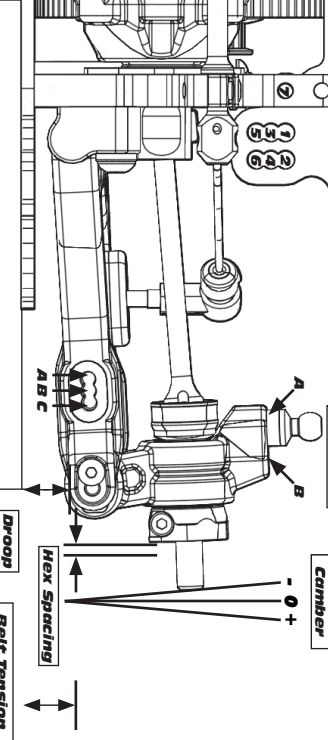
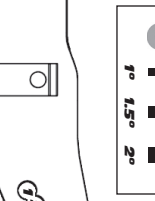
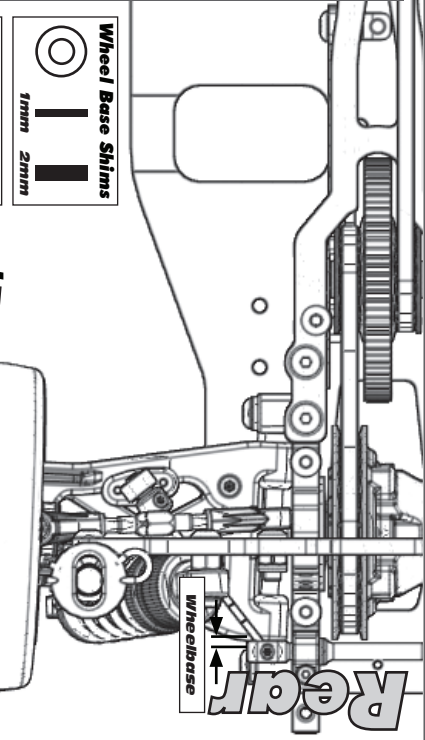
Spoil	Type	Gear Diff
A	Setting	40wt
8	Cam Holder	A
	Belt Tension Number	7

Notes:

Tires

Type	Insert & Wheel	Additive & Amount

Notes:

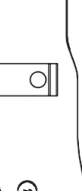


Notes:

Wheel Base Shims



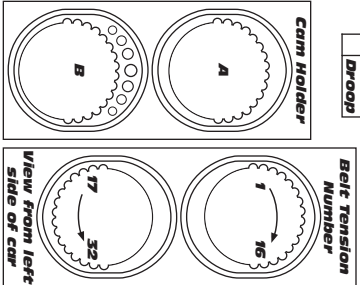
Arm Mount Shims



Turning Circle:	Transmitter
Steering Expo:	Speed Control
Brake E.P.:	E.S.C. Type:
Throttle Expo:	E.S.C. Settings:
Motor:	Gearing:

Classis	Chassis
Top Plate	

Battery Placement	Body & Wing
-------------------	-------------



Notes: _____

For more setups, visit RciO.com and click on "Racing"

:: Hardware - 1:1 Scale View







Cap Head (shcs)

-  **2x5mm (31511)**
-  **Thrust screw (9274)**





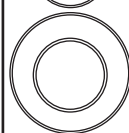
Set screw

-  **3x2.5mm (31500)**
-  **4x8mm (25227)**








Ballstuds

-  **Black 5mm short (31280)**
(Ti Nitride 5mm short, 31288)
-  **Silver 8mm short (31283)**
(Ti Nitride 5mm long, 31291)
-  **Black 8mm short (31281)**
(Ti Nitride 8mm short, 31289)
-  **Silver 8mm long (31284)**
(Ti Nitride 8mm long, 31292)
-  **Black 10mm short (31285)**
(Ti Nitride 10mm short, 31290)
-  **Silver 10mm long (31285)**
(Ti Nitride 10mm long, 31293)

Ball Bearings

-  **4x7mm (31403)**
-  **4x8x3mm flanged (31331)**
-  **5x8mm (31400)**
-  **5x10mm (25237)**
-  **10x15mm (31401)**












Flat Head (fhcs)

-  **2.5x10mm (31350)**
-  **3x5mm (31540)**
-  **3x6mm (31541)**
-  **3x8mm (25201)**
-  **3x10mm (25202)**
-  **3x12mm (25203)**
-  **3x16mm (25204)**



Shims and Washers

-  **1mm and 2mm blue shims (31286)**
-  **Diff washer (31166)**
-  **1mm and 2mm wheelbase shims (31200)**
-  **Thrust washer (6573)**
-  **Gold washer (7337)**
-  **Diff shim (31162)**

Button Head (bhcs)

-  **2x4mm (31510)**
-  **2x5mm (31511)**
-  **2.5x4mm (4673)**
-  **2.5x6mm (4675)**
-  **2.5x8mm (31521)**
-  **3x5mm (31530)**
-  **3x6mm (31531)**
-  **3x8mm (31532)**
-  **3x12mm (89202)**
-  **3x14mm (25187)**
-  **3x16mm (89203)**

Nuts (lock/plain)

-  **2-56 locknut (3904)**
-  **M3 locknut (31550)**
-  **M4 locknut (91148)**

Clips

-  **E-clip (31160)**
-  **C-clip (31307)**

Notes:

Drivers: _____

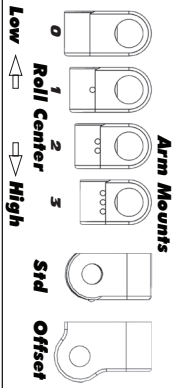
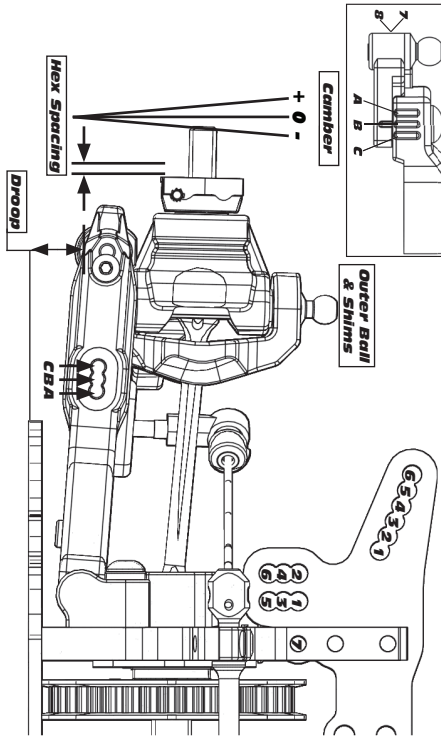
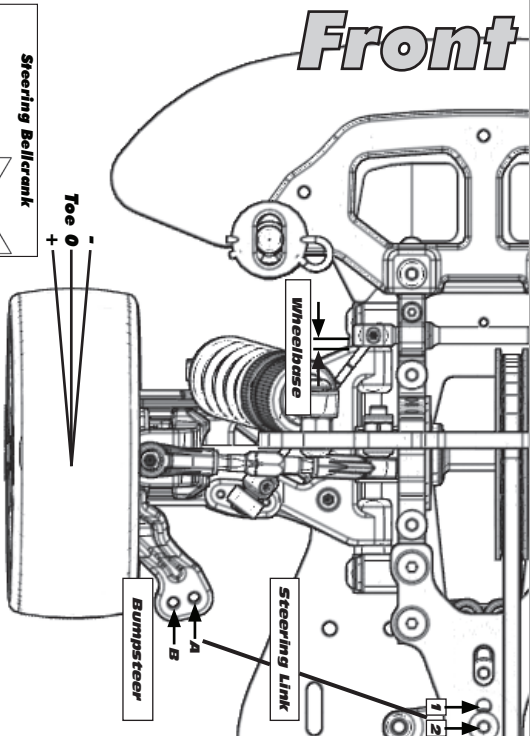
Tracks: _____

Conditions: _____

Event: _____

Date: _____

Front



Transmitter

Turning Circle: _____
 Steering Expo: _____
 Brake E.P.: _____
 Throttle Expo: _____

E.S.C. Type: _____
 E.S.C. Settings: _____
 S.W. Ver. _____

Motor _____
 Gearing _____

Notes: _____

Front

Alignment

Rear

Ride Height	
Camber	
Caster	N/A
Rear Hub Toe	
Toe (Total)	
Hex Spacing	
Wheelbase	
Steering Bellcrank	N/A
Steering Link	N/A
Bumpsteer	N/A

Notes: _____

Suspension Geometry

Shock Position	
Camber Link Position	
Outer Ball & Shims	
FWD Arm Mount	
FWD Mount Shim	
RWD Arm Mount	
RWD Mount Shims	
Droop	
Anti-Roll Bar	

Notes: _____

Shocks

Oil	
Piston	
Rebound	
Spring	

Notes: _____

Differentials

Type	
Setting	
Cam Holder	
Belt Tension Number	

Notes: _____

Tires

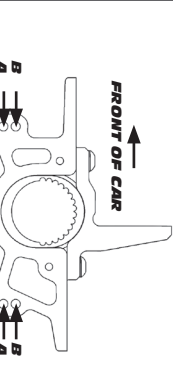
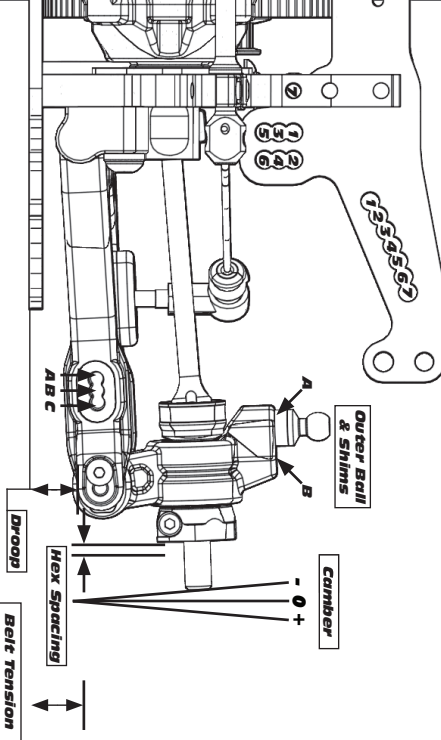
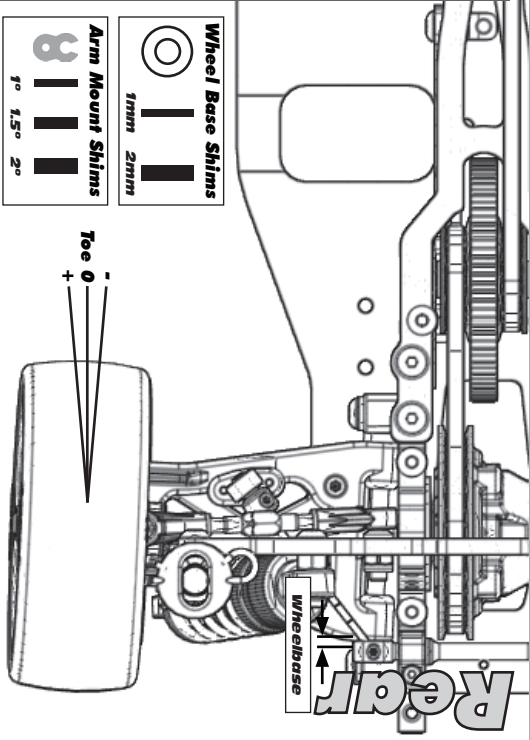
Type	
Tire Diameter	
Insert & Wheel	
Additive & Amount	

Notes: _____

Classis	
Top Plate	
Chassis	

Notes: _____

Rear



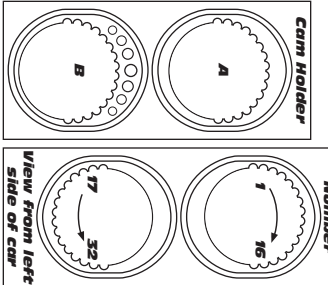
Transmitter

Turning Circle: _____
 Steering Expo: _____
 Brake E.P.: _____
 Throttle Expo: _____

E.S.C. Type: _____
 E.S.C. Settings: _____
 S.W. Ver. _____

Motor _____
 Gearing _____

Notes: _____



Battery Placement

Body & Wing

Notes: _____



**Associated Electrics, Inc.
26021 Commercentre Dr.
Lake Forest, CA 92630 USA**

<http://www.TeamAssociated.com>

<https://www.RC10.com>

https://twitter/Team_Associated

<https://bit.ly/AEonFacebook>

call: (949) 544-7500 - fax: (949) 544-7501

**Check out the following web sites for all of our kits,
current products, new releases, setup help, tips, and racing info!
www.TeamAssociated.com - www.RC10.com**